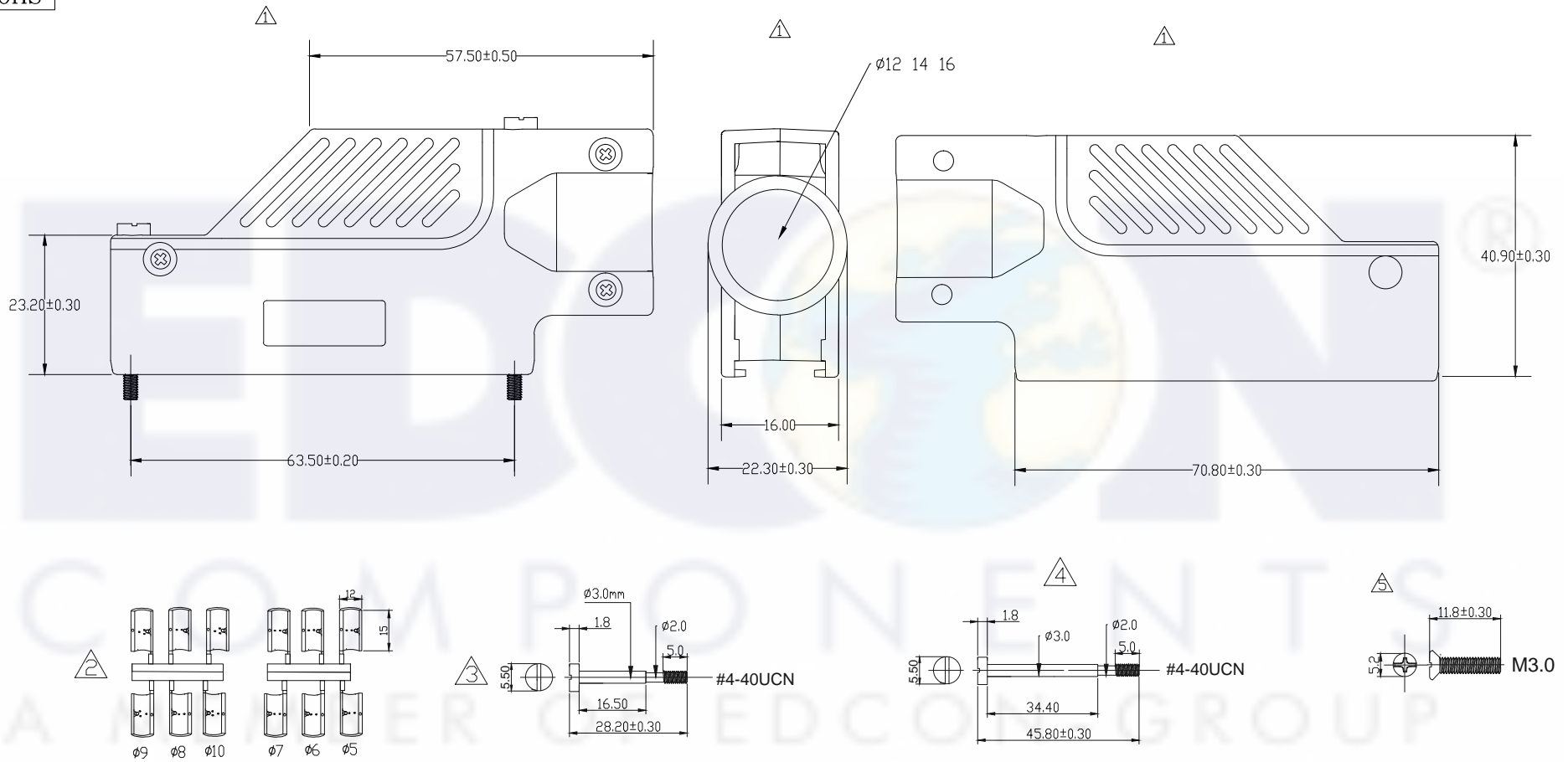


ROHS



BOM LIST			
Item	Part name	Q'ty	Notes
①	Metal hood	2	37PIN Zinc alloy/ Ni plated
②	Plastic wire clamp	1	ABS BALCK DD5 6 7 8 9 10mm
③	Long screw L45.80mm	1	#4-40 UNC, Steel/ Ni plated
④	Long screw L28.20mm	1	#4-40 UNC, Steel/ Ni plated
⑤	Screw for clamp	3	M3.0, Steel/ Ni plated L10.0mm

NO	F-3-MIN-001-005	Change History	DATE
Edition	00	New edition release	2023-06-26

APPROVED	PEN SHENG	DATE	2023-06-26	SCALE		
CHECKED	LUO BE	DWG NO	T0005	ANGLE		
DESIGNED	WANGYUGUI	UNIT	mm	TITL TE	90 DB37P Zinc alloy shell	
Item-No. T31303					TYPE NO	