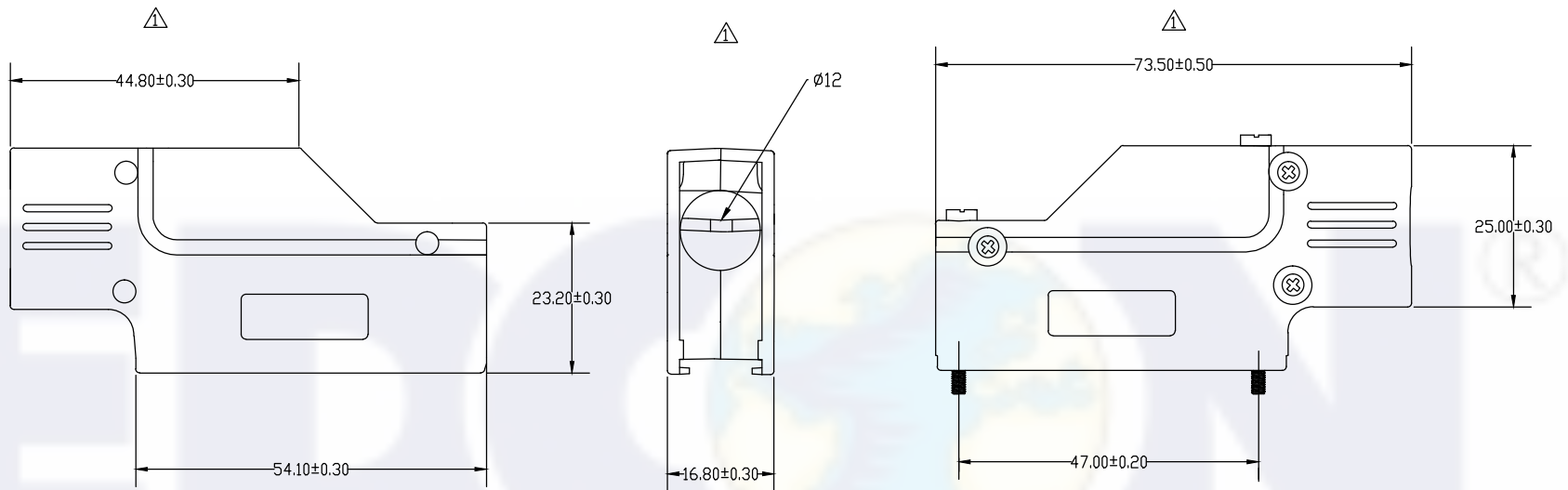


ROHS



BOM LIST

Item	Part name	Q'ty	Notes
①	Metal hood	2	25PIN Zinc alloy/ Ni plated
②	Plastic wire clamp	1	ABS BALCK DD5 6 7 8 9 10mm
③	Long screw L28.20mm	1	#4-40 UNC, Steel/ Ni plated
④	Long screw L39.20mm	1	#4-40 UNC, Steel/ Ni plated
⑤	Screw for clamp	3	M3.0, Steel/ Ni plated L10.0mm

NO	F-3-MIN-001-005	Change History	DATE
Edition	00	New edition release	2023-06-26

APPROVED	PEN SHENG	DATE	2023-06-26	SCALE	
CHECKED	LUO BE	DWG NO	T0005	ANGLE	
DESIGNED	WANGYUGUI	UNIT	mm	TIL TE	90 DB25P Zinc alloy shell
Item-No. T31302				TYPE NO	