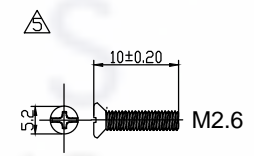
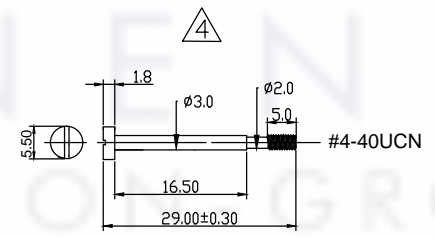
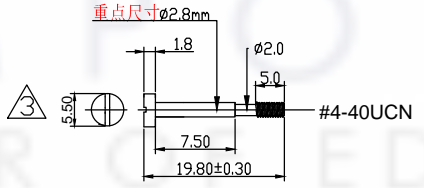
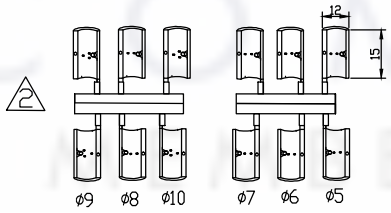
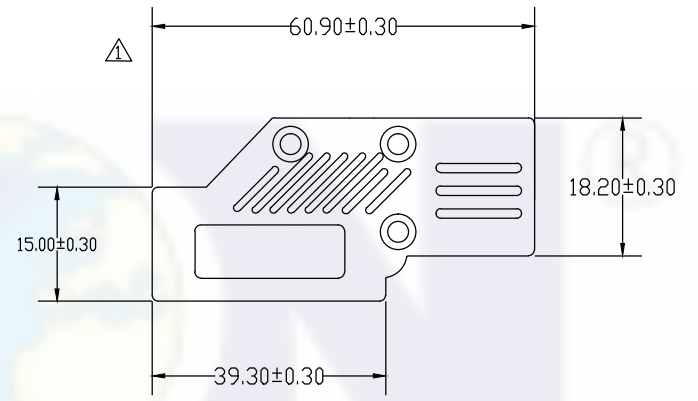
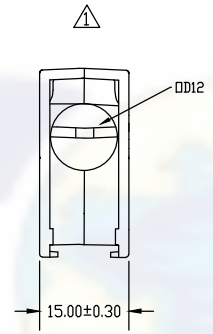
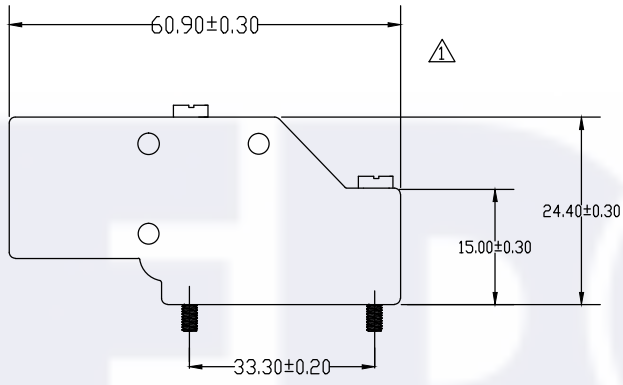


ROHS



BOM LIST			
Item	Part name	Q'ty	Notes
①	Metal hood	2	15PIN Zinc alloy/ Ni plated
②	Plastic wire clamp	1	ABS BALCK DD5 6 7 8 9 10mm
③	Long screw L19.8mm	1	#4-40 UNC, Steel/ Ni plated
④	Long screw L29.0mm	1	#4-40 UNC, Steel/ Ni plated
⑤	Screw for clamp	3	M2.6, Steel/ Ni plated L10.0mm

NO	F-3-MIN-001-005	Change History	DATE
Edition	00	New edition release	2023-06-26

APPROVED	PEN SHENG	DATE	2023-06-26	SCALE	
CHECKED	LUO BE	DWG NO	T0005	ANGLE	
DESIGNED	WANGYUGUI	UNIT	mm	TIL TE 90 DB15P Zinc alloy shell TYPE NO	
Item-No. T31301					