



# DATA SHEET

## SMD Round Spacer Support M4,0

**Serie: N45010**

**SMD Round Spacer  
Support M4,0**

Serie No.: **N45010**

Customer:

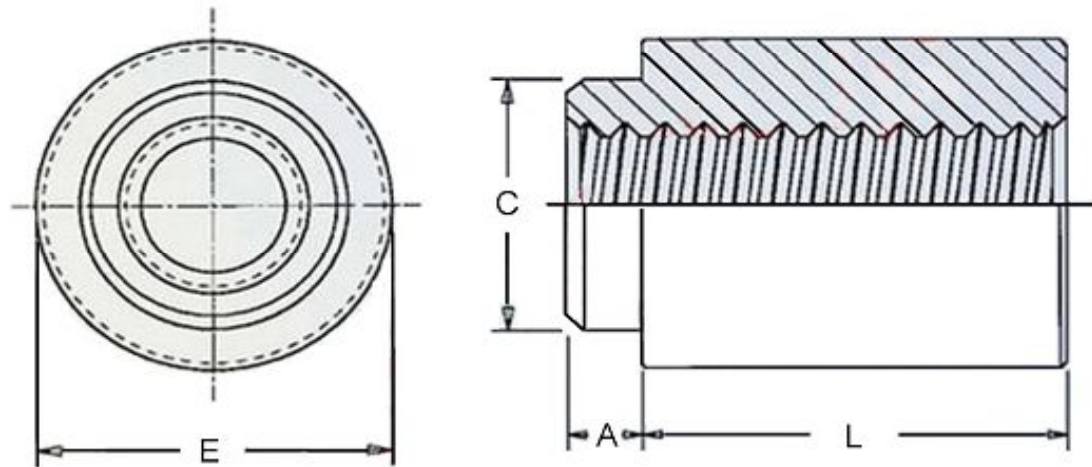
DRW:	Jason	CHKD	Wilson	MATL:	Wilson	TOLERANCE	Mason	DATE	05.08.2022
APPD:	Schumi			FINISH	Jamy		Sheet No.		1 from 6



### Technical Informations

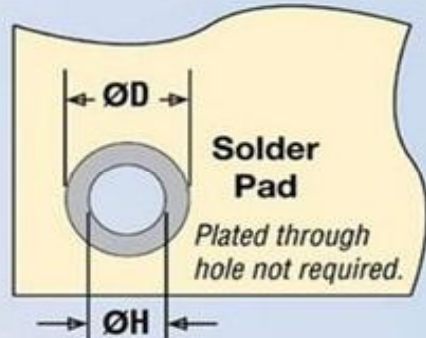
Thread Size	M4,0
Body Material	11SMnPb30
Surface:	Tin Plated
Torque:	0,3Nm
Solder Paste Thickness	150µm
Pic and Place Pad Mat.	KAPTON

### Technical Dimensions (mm)



### PCB-Pad Size Dimension

#### Stencil Masking Examples



Tolerances unless otherwise specified (mm)

X	X.X	X.XX	X.XXX	Angle					
±	±	±	±	±3°					
DRW:	Jason	CHKD	Wilson	MATL:	Wilson	TOLERANCE	Mason	DATE	05.08.2022
APPD:	Schumi			FINISH	Jamy		Sheet No.		2 from 6

**SMD Round Spacer  
Support M4,0**

Part No.: **N45010**

Customer:

# EDCON-COMPONENTS



## Dimension of (mm)

Order Code	Thread	L ±0,13	A max.	C max.	E		H Nom.	Ø H Hole Size In PCB +0,08	Ø D Min. Solder Pad	MIN PCB Thickness
					Ref.	±0,13				
A01	M4,0 x 0,7	2,00	1,53	6,22	--	8,74	--	6,35	9,37	1,53
A02	M4,0 x 0,7	3,00	1,53	6,22	--	8,74	--	6,35	9,37	1,53
A03	M4,0 x 0,7	4,00	1,53	6,22	--	8,74	--	6,35	9,37	1,53
A04	M4,0 x 0,7	5,00	1,53	6,22	--	8,74	--	6,35	9,37	1,53
A05	M4,0 x 0,7	6,00	1,53	6,22	--	8,74	--	6,35	9,37	1,53
A06	M4,0 x 0,7	8,00	1,53	6,22	--	8,74	--	6,35	9,37	1,53
A07	M4,0 x 0,7	10,00	1,53	6,22	--	8,74	--	6,35	9,37	1,53
A08	M4,0 x 0,7	1,00	1,53	6,22	--	8,74	--	6,35	9,37	1,53
A09	M4,0 x 0,7	1,50	1,53	6,22	--	8,74	--	6,35	9,37	1,53
A10	M4,0 x 0,7	2,50	1,53	6,22	--	8,74	--	6,35	9,37	1,53
A11	M4,0 x 0,7	3,50	1,53	6,22	--	8,74	--	6,35	9,37	1,53
A12	M4,0 x 0,7	4,50	1,53	6,22	--	8,74	--	6,35	9,37	1,53
A13	M4,0 x 0,7	5,50	1,53	6,22	--	8,74	--	6,35	9,37	1,53
A14	M4,0 x 0,7	6,50	1,53	6,22	--	8,74	--	6,35	9,37	1,53
A15	M4,0 x 0,7	7,00	1,53	6,22	--	8,74	--	6,35	9,37	1,53
A16	M4,0 x 0,7	7,50	1,53	6,22	--	8,74	--	6,35	9,37	1,53
A17	M4,0 x 0,7	8,50	1,53	6,22	--	8,74	--	6,35	9,37	1,53
A18	M4,0 x 0,7	9,00	1,53	6,22	--	8,74	--	6,35	9,37	1,53
A19	M4,0 x 0,7	9,50	1,53	6,22	--	8,74	--	6,35	9,37	1,53
A20										
A21										
A22										
A23										
A24										
A25										
A26										
A27										

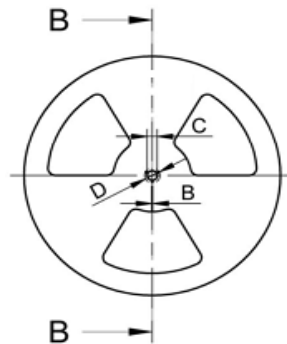
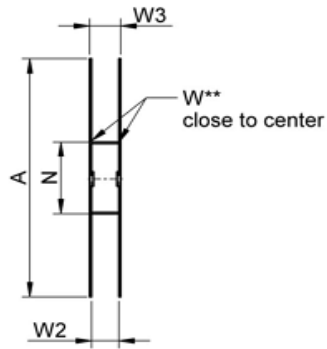
<b>SMD Round Spacer Support M4,0</b>	
Part No.:	<b>N45010</b>
Customer:	

DRW:	Jason	CHKD:	Wilson	MATL:	Wilson	TOLERANCE:	Mason	DATE:	05.08.2022
APPD:	Schumi			FINISH:	Jamy		Sheet No.		3 from 6

# EDCON-COMPONENTS



Height of Thread	A	B	C	D	N	W1	W2	W3	W3	Pic Plac Mat.	PCS/Reel
	±2,0	min	±0,8	min	±2,0	±2,0	max.	min	max.		PCS
	330,00	1,50	13,00	20,20	60,00	24,40	30,40	23,90	27,40	Kapton-Film	1500
	330,00	1,50	13,00	20,20	60,00	24,40	30,40	23,90	27,40	Kapton-Film	1200
	330,00	1,50	13,00	20,20	60,00	24,40	30,40	23,90	27,40	Kapton-Film	1050
	330,00	1,50	13,00	20,20	60,00	24,40	30,40	23,90	27,40	Kapton-Film	950
	330,00	1,50	13,00	20,20	60,00	24,40	30,40	23,90	27,40	Kapton-Film	800
	330,00	1,50	13,00	20,20	60,00	24,40	30,40	23,90	27,40	Kapton-Film	800
	330,00	1,50	13,00	20,20	60,00	24,40	30,40	23,90	27,40	Kapton-Film	600
	330,00	1,50	13,00	20,20	60,00	24,40	30,40	23,90	27,40	Kapton-Film	600
	330,00	1,50	13,00	20,20	60,00	24,40	30,40	23,90	27,40	Kapton-Film	600
	330,00	1,50	13,00	20,20	60,00	24,40	30,40	23,90	27,40	Kapton-Film	500
	330,00	1,50	13,00	20,20	60,00	24,40	30,40	23,90	27,40	Kapton-Film	400
	330,00	1,50	13,00	20,20	60,00	24,40	30,40	23,90	27,40	Kapton-Film	400



## SMD Round Spacer Support M4,0

Part No.: **N45010**

Customer:

DRW:	Jason	CHKD	Wilson	MATL:	Wilson	TOLERANCE	Mason	DATE	05.08.2022
APPD:	Schumi			FINISH	Jamy		Sheet No.	4 from 6	

# EDCON-COMPONENTS



## Ordering Informations

Serie	Size Code	Thread Size	Material Code	Contact Plating	Special function	Special function	Special function	ROHS	Packing Code
<b>N45010</b>	<b>A01</b>	<b>M40</b>	<b>SS</b>	<b>TN</b>	<b>N</b>	<b>N</b>	<b>N</b>	<b>R</b>	<b>TR</b>

A01= Dimension look table	M40= Thread M4,0mm	BR= Brass	TN= Tin Plated	N= No function	N= No function	N= No function	R= ROHS Conform	BU= Bulk-Ware
		SS= Stainless Steel					N= NON ROHS Conform	
								TR= Tape Reel Packing

<b>SMD Round Spacer Support M4,0</b>	
Part No.:	<b>N45010</b>
Customer:	

DRW:	Jason	CHKD	Wilson	MATL:	Wilson	TOLERANCE	Mason	DATE	05.08.2022
APPD:	Schumi			FINISH	Jamy		Sheet No.		5 from 6

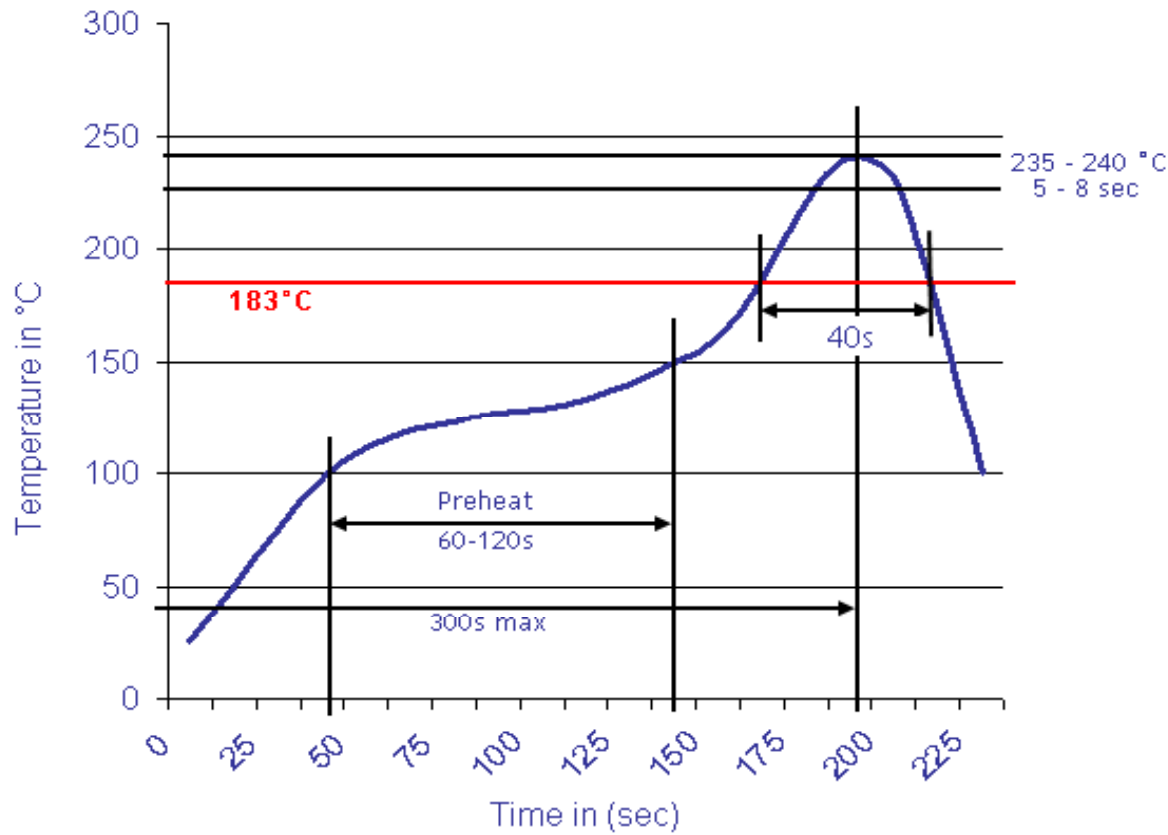
[www.edcon-components.com](http://www.edcon-components.com)

email: [info@edcon-components.com](mailto:info@edcon-components.com)



Soldering Profile Curve

Classification Reflow Profile (JEDEC J-STD-020C)



<b>SMD Round Spacer Support M4,0</b>	
Part No.:	<b>N45010</b>
Customer:	

DRW:	Jason	CHKD	Wilson	MATL:	Wilson	TOLERANCE	Mason	DATE	05.08.2022
APPD:	Schumi			FINISH	Jamy		Sheet No.		6 from 6