



# DATA SHEET

## SMD Round Spacer Support M3,0

### Serie: N45008

<b>SMD Round Spacer Support M3,0</b>	
Serie No.:	<b>N45008</b>
Customer:	

DRW:	Jason	CHKD	Wilson	MATL:	Wilson	TOLERANCE	Mason	DATE	16.04.2024
APPD:	Schumi			FINISH	Jamy		Sheet No.		1 from 13

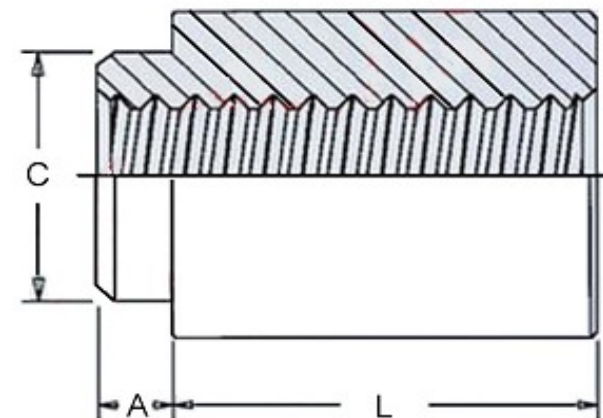
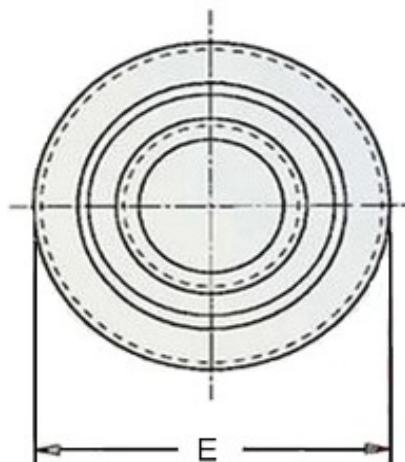
# EDCON-COMPONENTS



## Technical Informations

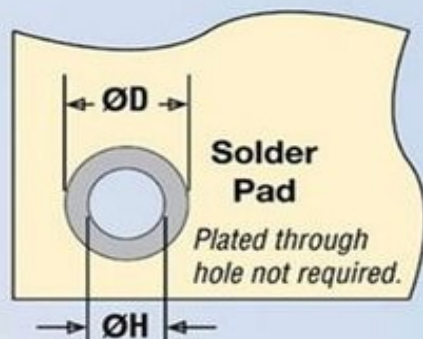
Thread Size	M3,0
Body Material	11SMnPb30
Surface:	Tin Plated
Torque:	0,3Nm
Solder Paste Thickness	150µm
Pic and Place Pad Mat.	KAPTON

## Technical Dimensions (mm)



## PCB-Pad Size Dimension

### Stencil Masking Examples



Tolerances unless otherwise specified (mm)

X	X.X	X.XX	X.XXX	Angle					
±	±	±	±	±3°					
DRW:	Jason	CHKD	Wilson	MATL:	Wilson	TOLERANCE	Mason	DATE	16.04.2024
APPD:	Schumi			FINISH	Jamy		Sheet No.		2 from 13

**SMD Round Spacer  
Support M3,0**

Part No.: **N45008**

Customer:

# EDCON-COMPONENTS



Dimension of (mm)

Order Code	Thread	L ±0,13	A max.	C max.	E		H	Ø H Hole Size In PCB +0,08	Ø D Min. Solder Pad	MIN PCB Thickness
					Ref.	±0,13	Nom.			
A01	M3,0 x 0,5	2,00	1,53	4,09	--	5,56	--	4,22	6,20	1,53
A02	M3,0 x 0,5	3,00	1,53	4,09	--	5,56	--	4,22	6,20	1,53
A03	M3,0 x 0,5	4,00	1,53	4,09	--	5,56	--	4,22	6,20	1,53
A04	M3,0 x 0,5	5,00	1,53	4,09	--	5,56	--	4,22	6,20	1,53
A05	M3,0 x 0,5	6,00	1,53	4,09	--	5,56	--	4,22	6,20	1,53
A06	M3,0 x 0,5	8,00	1,53	4,09	--	5,56	--	4,22	6,20	1,53
A07	M3,0 x 0,5	10,00	1,53	4,09	--	5,56	--	4,22	6,20	1,53
A08	M3,0 x 0,5	1,00	1,53	4,09	--	5,56	--	4,22	6,20	1,53
A09	M3,0 x 0,5	1,50	1,53	4,09	--	5,56	--	4,22	6,20	1,53
A10	M3,0 x 0,5	2,50	1,53	4,09	--	5,56	--	4,22	6,20	1,53
A11	M3,0 x 0,5	3,50	1,53	4,09	--	5,56	--	4,22	6,20	1,53
A12	M3,0 x 0,5	4,50	1,53	4,09	--	5,56	--	4,22	6,20	1,53
A13	M3,0 x 0,5	5,50	1,53	4,09	--	5,56	--	4,22	6,20	1,53
A14	M3,0 x 0,5	6,50	1,53	4,09	--	5,56	--	4,22	6,20	1,53
A15	M3,0 x 0,5	7,00	1,53	4,09	--	5,56	--	4,22	6,20	1,53
A16	M3,0 x 0,5	7,50	1,53	4,09	--	5,56	--	4,22	6,20	1,53
A17	M3,0 x 0,5	8,50	1,53	4,09	--	5,56	--	4,22	6,20	1,53
A18	M3,0 x 0,5	9,00	1,53	4,09	--	5,56	--	4,22	6,20	1,53
A19	M3,0 x 0,5	9,50	1,53	4,09	--	5,56	--	4,22	6,20	1,53
A20	M3,0 x 0,5	6,00	1,4	4,20	--	6,00	--	4,48	7,27	1,53
A21	M3,0 x 0,5	4,00	1,4	4,20	--	6,00	--	4,48	7,27	1,53
A22	M3,0 x 0,5	2,00	1,4	4,20	--	6,00	--	4,48	7,27	1,53
A23										
A24										
A25										
A26										
A27										

<b>SMD Round Spacer Support M3,0</b>	
Part No.:	<b>N45008</b>
Customer:	

DRW:	Jason	CHKD:	Wilson	MATL:	Wilson	TOLERANCE:	Mason	DATE:	16.04.2024
APPD:	Schumi			FINISH:	Jamy		Sheet No.		3 from 13

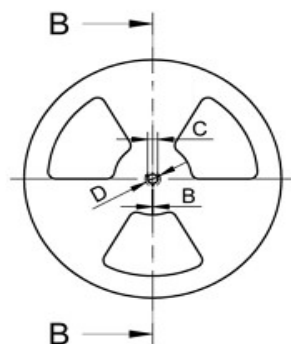
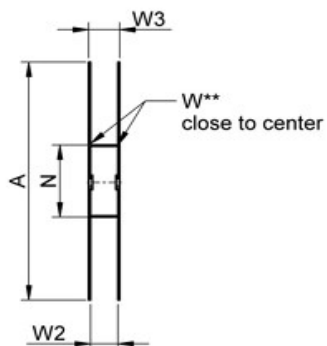
[www.edcon-components.com](http://www.edcon-components.com)

email: [info@edcon-components.com](mailto:info@edcon-components.com)

# EDCON-COMPONENTS



Height of Thread	A	B	C	D	N	W1	W2	W3	W3	Pic Plac Mat.	PCS/Reel
	±2,0	min	±0,8	min	±2,0	±2,0	max.	min	max.		PCS
	330,00	1,50	13,00	20,20	60,00	24,40	30,40	23,90	27,40	Kapton-Film	1500
	330,00	1,50	13,00	20,20	60,00	24,40	30,40	23,90	27,40	Kapton-Film	1200
	330,00	1,50	13,00	20,20	60,00	24,40	30,40	23,90	27,40	Kapton-Film	1050
	330,00	1,50	13,00	20,20	60,00	24,40	30,40	23,90	27,40	Kapton-Film	950
	330,00	1,50	13,00	20,20	60,00	24,40	30,40	23,90	27,40	Kapton-Film	800
	330,00	1,50	13,00	20,20	60,00	24,40	30,40	23,90	27,40	Kapton-Film	800
	330,00	1,50	13,00	20,20	60,00	24,40	30,40	23,90	27,40	Kapton-Film	600
	330,00	1,50	13,00	20,20	60,00	24,40	30,40	23,90	27,40	Kapton-Film	600
	330,00	1,50	13,00	20,20	60,00	24,40	30,40	23,90	27,40	Kapton-Film	600
	330,00	1,50	13,00	20,20	60,00	24,40	30,40	23,90	27,40	Kapton-Film	500
	330,00	1,50	13,00	20,20	60,00	24,40	30,40	23,90	27,40	Kapton-Film	400
	330,00	1,50	13,00	20,20	60,00	24,40	30,40	23,90	27,40	Kapton-Film	400



**SMD Round Spacer  
Support M3,0**

Part No.: **N45008**

DRW:	Jason	CHKD	Wilson	MATL:	Wilson	TOLERANCE	Mason	DATE	16.04.2024
APPD:	Schumi			FINISH	Jamy		Sheet No.		11 from 13

Customer:

[www.edcon-components.com](http://www.edcon-components.com)

email: [info@edcon-components.com](mailto:info@edcon-components.com)

Copyright by S.Tiede

# EDCON-COMPONENTS



## Ordering Informations

Serie	Size Code	Thread Size	Material Code	Contact Plating	Special function	Special function	Special function	ROHS	Packing Code
-------	-----------	-------------	---------------	-----------------	------------------	------------------	------------------	------	--------------

<b>N45008</b>	<b>A01</b>	<b>M30</b>	<b>SS</b>	<b>TN</b>	<b>N</b>	<b>N</b>	<b>N</b>	<b>R</b>	<b>TR</b>
---------------	------------	------------	-----------	-----------	----------	----------	----------	----------	-----------

<b>A01=</b> Dimension look table	<b>M30=</b> Thread M3,0mm	<b>BR=</b> Brass	<b>TN=</b> Tin Plated	<b>N=</b> No function	<b>N=</b> No function	<b>N=</b> No function	<b>R=</b> ROHS Conform	<b>BU=</b> Bulk-Ware
		<b>SS=</b> Stainless Steel					<b>N=</b> NON ROHS Conform	
								<b>TR=</b> Tape Reel Packing

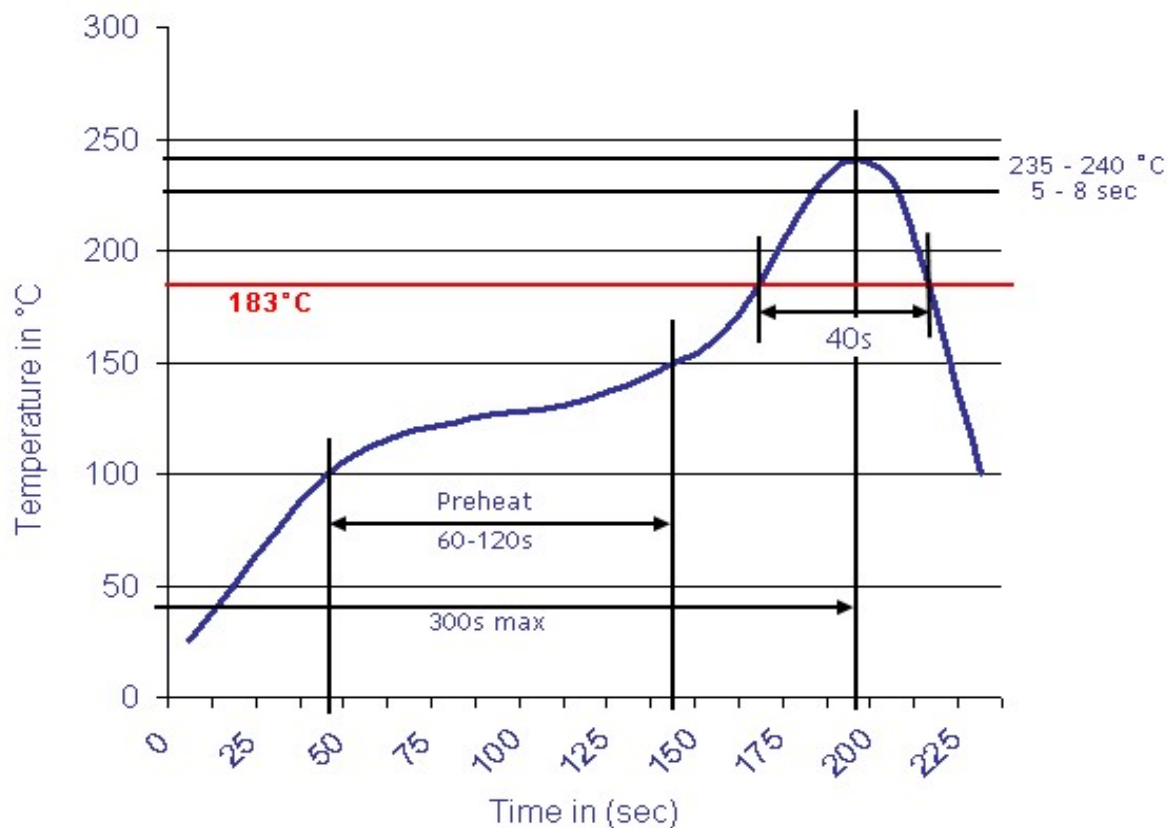
<b>SMD Round Spacer Support M3,0</b>	
Part No.:	<b>N45008</b>
Customer:	

DRW:	Jason	CHKD	Wilson	MATL:	Wilson	TOLERANCE	Mason	DATE	16.04.2024
APPD:	Schumi			FINISH	Jamy			Sheet No.	12 from 13



Soldering Profile Curve

Classification Reflow Profile (JEDEC J-STD-020C)



<b>SMD Round Spacer Support M3,0</b>	
Part No.:	<b>N45008</b>
Customer:	

DRW:	Jason	CHKD:	Wilson	MATL:	Wilson	TOLERANCE:	Mason	DATE:	16.04.2024
APPD:	Schumi			FINISH:	Jamy		Sheet No.		13 from 13