



DATA SHEET

SMD Round Spacer Support M2,5

Serie: N45007

**SMD Round Spacer
Support M2,5**

Serie No.: **N45007**

Customer:

DRW:	Jason	CHKD	Wilson	MATL:	Wilson	TOLERANCE	Mason	DATE	27.10.2018
APPD:	Schumi			FINISH	Jamy		Sheet No.		1 from 13

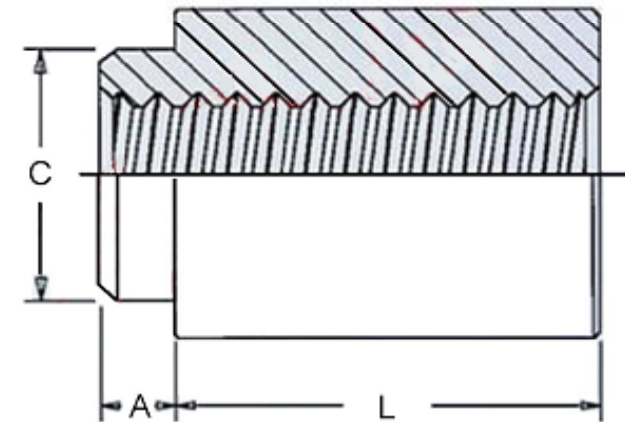
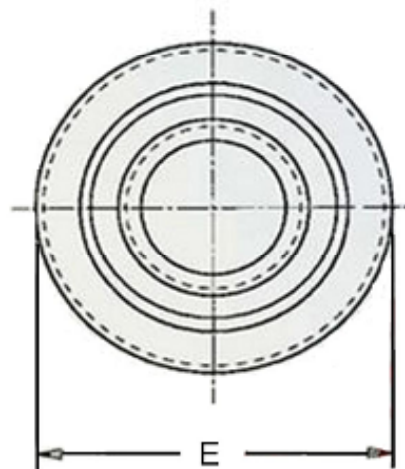
EDCON-COMPONENTS



Technical Informations

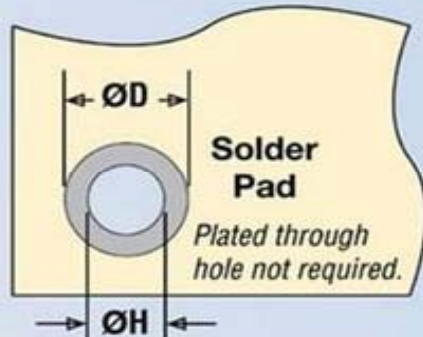
Thread Size	M2,5
Body Material	11SMnPb30
Surface:	Tin Plated
Torque:	0,25Nm
Solder Paste Thickness	150µm
Pic and Place Pad Mat.	KAPTON

Technical Dimensions (mm)



PCB-Pad Size Dimension

Stencil Masking Examples



Tolerances unless otherwise specified (mm)

X	X.X	X.XX	X.XXX	Angle					
±	±	±	±	±3°					
DRW:	Jason	CHKD	Wilson	MATL:	Wilson	TOLERANCE	Mason	DATE	27.10.2018
APPD:	Schumi			FINISH	Jamy		Sheet No.		2 from 13

SMD Round Spacer Support M2,5

Part No.: **N45007**

Customer:

EDCON-COMPONENTS



Dimension of (mm)

Order Code	Thread	L ±0,13	A max.	C max.	E		H Nom.	Ø H Hole Size In PCB +0,08	Ø D Min. Solder Pad	MIN PCB Thickness
					Ref.	±0,13				
A01	M2,5 x 0,45	2,00	1,53	4,09	--	5,56	--	4,22	6,20	1,53
A02	M2,5 x 0,45	3,00	1,53	4,09	--	5,56	--	4,22	6,20	1,53
A03	M2,5 x 0,45	4,00	1,53	4,09	--	5,56	--	4,22	6,20	1,53
A04	M2,5 x 0,45	5,00	1,53	4,09	--	5,56	--	4,22	6,20	1,53
A05	M2,5 x 0,45	6,00	1,53	4,09	--	5,56	--	4,22	6,20	1,53
A06	M2,5 x 0,45	8,00	1,53	4,09	--	5,56	--	4,22	6,20	1,53
A07	M2,5 x 0,45	10,00	1,53	4,09	--	5,56	--	4,22	6,20	1,53
A08	M2,5 x 0,45	7,00	1,53	4,09	--	5,56	--	4,22	6,20	1,53
A09	M2,5 x 0,45	9,00	1,53	4,09	--	5,56	--	4,22	6,20	1,53
A10	M2,5 x 0,45	1,00	1,53	4,09	--	5,56	--	4,22	6,20	1,53
A11	M2,5 x 0,45	1,50	1,53	4,09	--	5,56	--	4,22	6,20	1,53
A12	M2,5 x 0,45	2,50	1,53	4,09	--	5,56	--	4,22	6,20	1,53
A13	M2,5 x 0,45	3,50	1,53	4,09	--	5,56	--	4,22	6,20	1,53
A14	M2,5 x 0,45	4,50	1,53	4,09	--	5,56	--	4,22	6,20	1,53
A15	M2,5 x 0,45	5,50	1,53	4,09	--	5,56	--	4,22	6,20	1,53
A16	M2,5 x 0,45	6,50	1,53	4,09	--	5,56	--	4,22	6,20	1,53
A17	M2,5 x 0,45	7,50	1,53	4,09	--	5,56	--	4,22	6,20	1,53
A18	M2,5 x 0,45	8,50	1,53	4,09	--	5,56	--	4,22	6,20	1,53
A19	M2,5 x 0,45	9,50	1,53	4,09	--	5,56	--	4,22	6,20	1,53
A20										
A21										
A22										
A23										
A24										
A25										
A26										
A27										

SMD Round Spacer Support M2,5	
Part No.:	N45007
Customer:	

DRW:	Jason	CHKD	Wilson	MATL:	Wilson	TOLERANCE	Mason	DATE	27.10.2018
APPD:	Schumi			FINISH	Jamy		Sheet No.		3 from 13

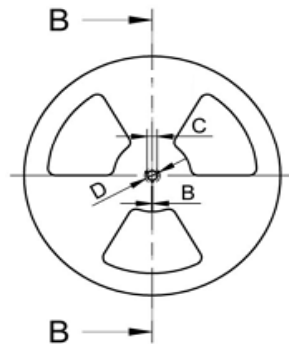
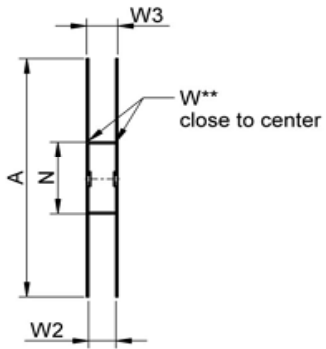
www.edcon-components.com

email: info@edcon-components.com

EDCON-COMPONENTS



Height of Thread	A	B	C	D	N	W1	W2	W3	W3	Pic Plac Mat.	PCS/Reel
	±2,0	min	±0,8	min	±2,0	±2,0	max.	min	max.		PCS
	330,00	1,50	13,00	20,20	60,00	24,40	30,40	23,90	27,40	Kapton-Film	1500
	330,00	1,50	13,00	20,20	60,00	24,40	30,40	23,90	27,40	Kapton-Film	1200
	330,00	1,50	13,00	20,20	60,00	24,40	30,40	23,90	27,40	Kapton-Film	1050
	330,00	1,50	13,00	20,20	60,00	24,40	30,40	23,90	27,40	Kapton-Film	950
	330,00	1,50	13,00	20,20	60,00	24,40	30,40	23,90	27,40	Kapton-Film	800
	330,00	1,50	13,00	20,20	60,00	24,40	30,40	23,90	27,40	Kapton-Film	800
	330,00	1,50	13,00	20,20	60,00	24,40	30,40	23,90	27,40	Kapton-Film	600
	330,00	1,50	13,00	20,20	60,00	24,40	30,40	23,90	27,40	Kapton-Film	600
	330,00	1,50	13,00	20,20	60,00	24,40	30,40	23,90	27,40	Kapton-Film	600
	330,00	1,50	13,00	20,20	60,00	24,40	30,40	23,90	27,40	Kapton-Film	500
	330,00	1,50	13,00	20,20	60,00	24,40	30,40	23,90	27,40	Kapton-Film	400
	330,00	1,50	13,00	20,20	60,00	24,40	30,40	23,90	27,40	Kapton-Film	400



SMD Round Spacer Support M2,5

Part No.: **N45007**

DRW:	Jason	CHKD	Wilson	MATL:	Wilson	TOLERANCE	Mason	DATE	27.10.2018
APPD:	Schumi			FINISH	Jamy		Sheet No.	11 from 13	

Customer:

EDCON-COMPONENTS



Ordering Informations

Serie	Size Code	Thread Size	Material Code	Contact Plating	Special function	Special function	Special function	ROHS	Packing Code
N45007	A01	M25	SS	TN	N	N	N	R	TR

A01= Dimension look table	M25= Thread M2,5mm	BR= Brass	TN= Tin Plated	N= No function	N= No function	N= No function	R= ROHS Conform	BU= Bulk-Ware
		SS= Stainless Steel					N= NON ROHS Conform	
								TR= Tape Reel Packing

SMD Round Spacer Support M2,5	
Part No.:	N45007
Customer:	

DRW:	Jason	CHKD	Wilson	MATL:	Wilson	TOLERANCE	Mason	DATE	27.10.2018
APPD:	Schumi			FINISH	Jamy		Sheet No.		12 from 13

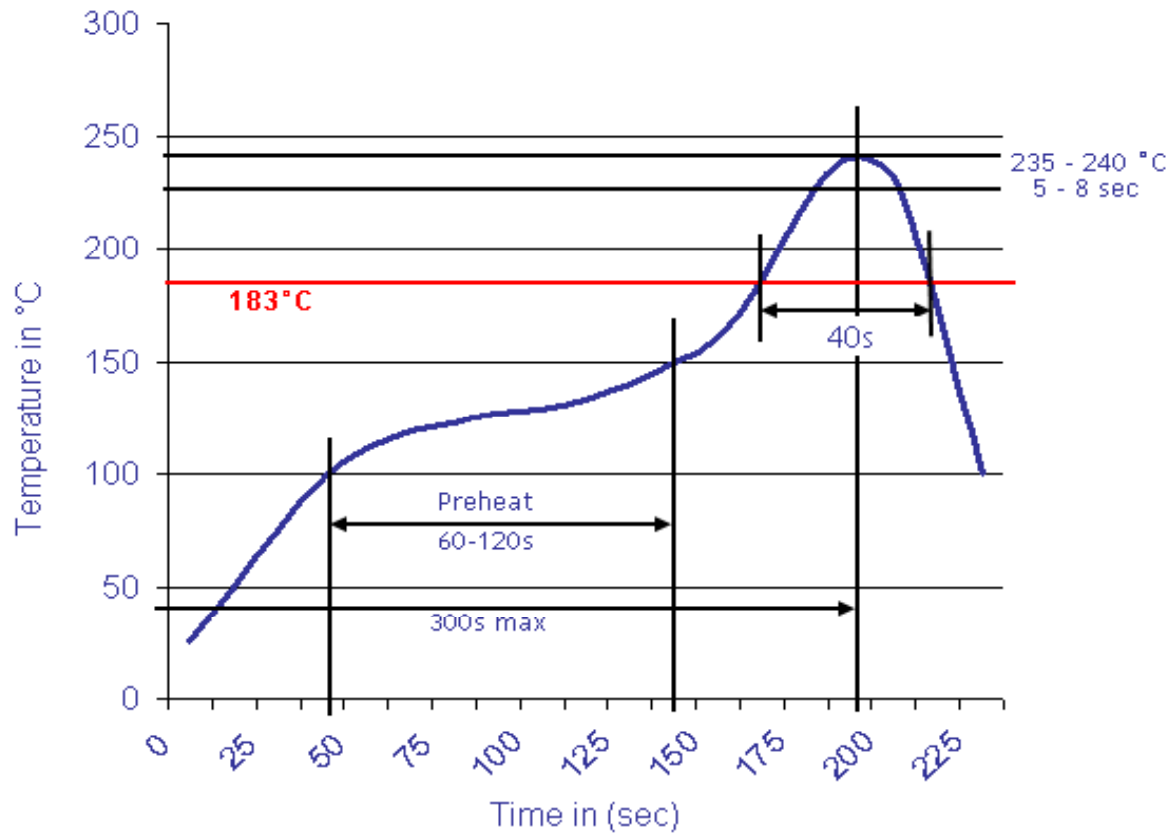
www.edcon-components.com

email: info@edcon-components.com



Soldering Profile Curve

Classification Reflow Profile (JEDEC J-STD-020C)



SMD Round Spacer Support M2,5	
Part No.:	N45007
Customer:	

DRW:	Jason	CHKD	Wilson	MATL:	Wilson	TOLERANCE	Mason	DATE	27.10.2018
APPD:	Schumi			FINISH	Jamy		Sheet No.	13 from 13	