



DATA SHEET

RJ-Connector

Serie: T91A21069 -

**1Port THT / RJ-Connector
Shielded w. Transformer**

Serie No.: **T91A21069 -**

DRW:	Jason	CHKD	Wilson	MATL:	Wilson	TOLERANCE	Mason	DATE	14.09.2022	Customer:
APPD:	Schumi			FINISH	Jamy		Sheet No.	1 from 5		



Contact



Technical Description

Electrical

Current Rating: 1,5A
 Voltage Rating: 125VAC
 Insulation Resistance: 1000M Ω min.
 Contact Resistance: 30mΩ max.
 Withstanding Voltage: AC 1000V RMS50/60Hz 1min.

Mechanical

Insertion Force: 2,2KG F. max.
 Retention Strength: 7,7Kg F min between jack a.plug
 Durability: 600mating cycles min.

Designed for Network Interface Card Application
 Meets or Exceeds IEEE802,3 standards including 350μH Mni OCL with 8mADC
 High performance for EMI supression, Crosstalk, Return Loss and Consistent Electrical
 Minmum 1500Vrms isolation per IEEE802,3 requirement
 Minimum PCB Space and simplify PCB Layout
 Less magnetics components to place on PCB, Higher reliability and yields

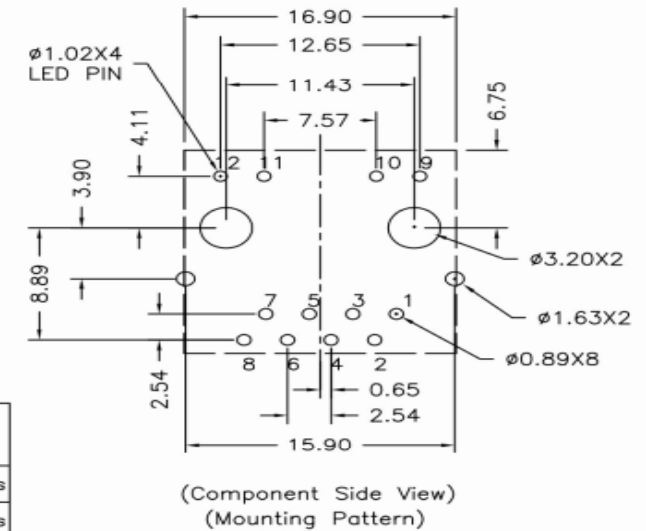
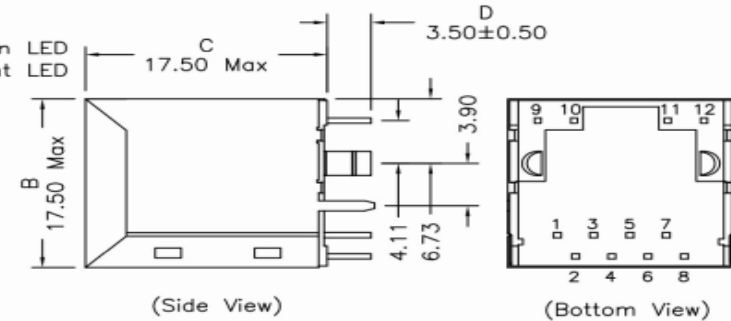
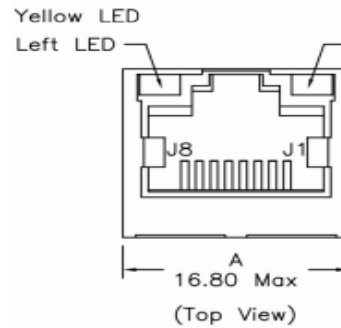
with integrated Magnetics and LED for 10/100Base-TX-NIC

Applications

Electrical Specifications @ 25°C

PCB Layout

Mechanical Dimensions:



Standard LED	Wavelength	Forward V (Min/Max)	Forward A	Type
Green	568nm	1.8v/2.8v	20mA	squareness
Yellow	585nm	1.8v/2.8v	20mA	squareness

Tolerances unless otherwise specified (mm)				
x	x.x	x.xx	x.xxx	Angle
±	±	±	±	±3°
DRW:	Jason	CHKD	Wilson	MATL:
APPD:	Schumi			FINISH:
				Jamy
				TOLERANCE
				Mason
				DATE
				14.09.2022
				Sheet No.
				2 from 5

1Port THT / RJ-Connector Shielded w. Transformer
Part No.: T91A21069 -
Customer:

www.edcon-components.com

email: info@edcon-components.com

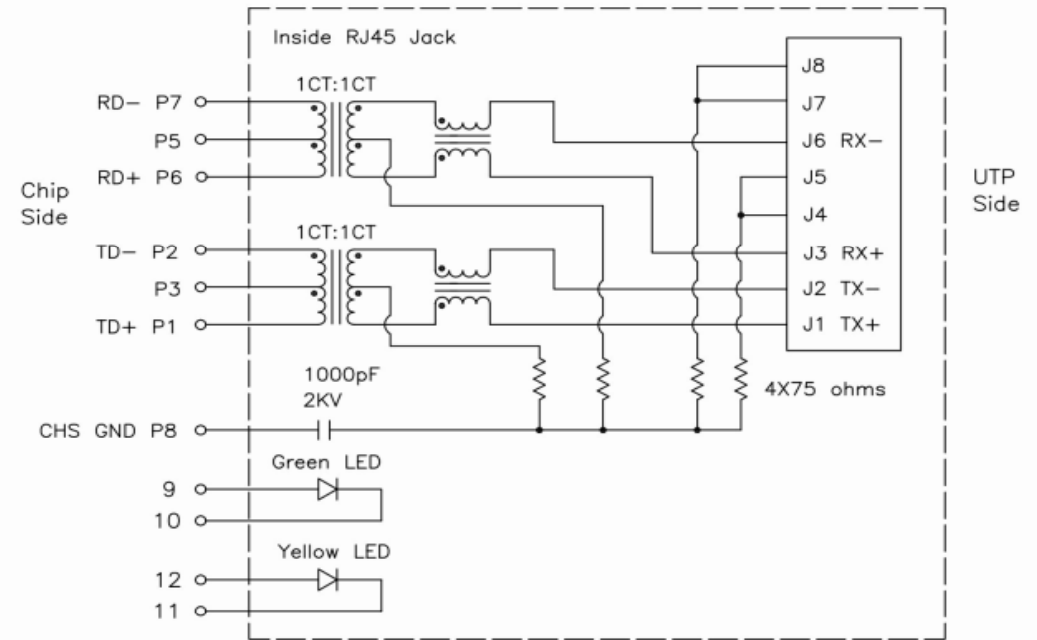


Contact



Technical Drawing

Isolation: 1500Vrms (UTP Side to Chip Side)
 OCL: 350uH Minimum @100KHz 100mV with 8mADC
 Insertion Loss: -1.0dB Maximum @300KHz ~ 100MHz
 Return Loss: -20dB Minimum @1MHz ~ 10MHz
 -16dB Minimum @10MHz ~ 30MHz
 -12dB Minimum @30MHz ~ 60MHz
 -10dB Minimum @60MHz ~ 80MHz
 Common Mode Rejection: -30dB Minimum @1MHz ~ 50MHz
 -20dB Minimum @50MHz ~ 150MHz
 Crosstalk: -40dB Typical @1MHz ~ 30MHz
 -35dB Typical @30MHz ~ 60MHz
 Schematics -30dB Typical @60MHz ~ 100MHz



Notes: Connect CHS GND to PCB Ground

**1Port THT / RJ-Connector
 Shielded w. Transformer**

Part No.: **T91A21069 -**

Customer:

DRW:	Jason	CHKD	Wilson	MATL:	Wilson	TOLERANCE	Mason	DATE	14.09.2022
APPD:	Schumi			FINISH	Jamy		Sheet No.		3 from 5

www.edcon-components.com

email: info@edcon-components.com



Contact



Ordering Informations

Serie	No of Positions	No of Contacts	Contact Plating	LED Left Side	LED Right Side	Special function	ROHS	Packing Code		
T91A21069 -	08	08	GF	A1	B1	N	R	TY		

08= Positions	08= Contacts	GF= Gold Flash (Standard)	A1= Yellow	B1= Green	N= No function	R= RoHS Conform	BU= Bulk Ware
		GA= 3µ Gold				N= NON RoHS Conform	TA= Tape Ammo Pack
		GB= 6µ Gold					TR= Tape Reel Packing when need w. PIC and PLACE CAP
		GC= 15µ Gold					
		GD= 30µ Gold					
		GE= 50µ Gold					

**1Port THT / RJ-Connector
Shielded w. Transformer**

Part No.: **T91A21069 -**

DRW:	Jason	CHKD	Wilson	MATL:	Wilson	TOLERANCE	Mason	DATE	14.09.2022	Customer:
APPD:	Schumi			FINISH	Jamy		Sheet No.	4 from 5		

www.edcon-components.com

email: info@edcon-components.com

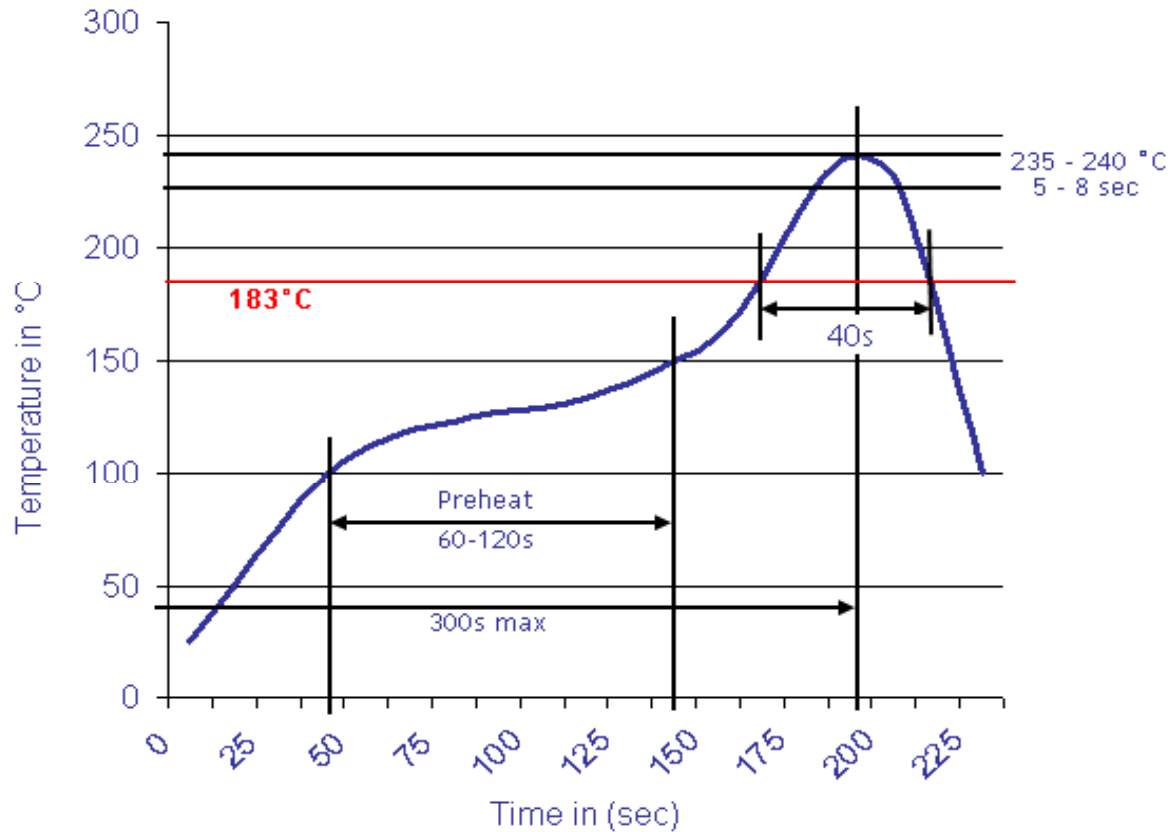


Contact



Soldering Profile Curve

Classification Reflow Profile (JEDEC J-STD-020C)



**1Port THT / RJ-Connector
Shielded w. Transformer**

Part No.: **T91A21069 -**

Customer:

DRW:	Jason	CHKD:	Wilson	MATL:	Wilson	TOLERANCE	Mason	DATE	14.09.2022
APPD:	Schumi			FINISH	Jamy		Sheet No.	5 from 5	