



DATA SHEET

Electro Magnetic Transducer

Serie: Y11142

**Electro Magnetic
Transducer**

Serie No.: **Y11142**

Customer:

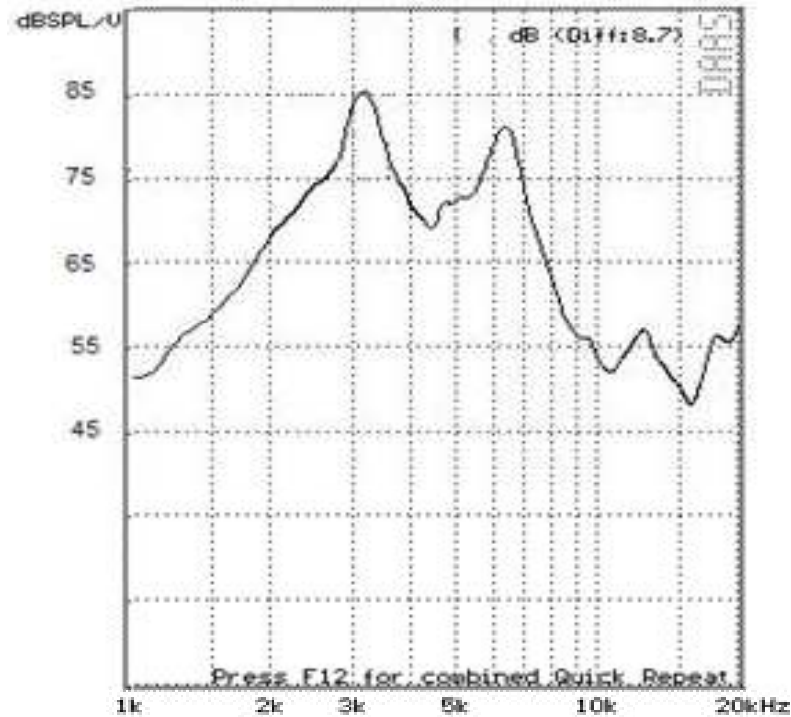
DRW:	Jason	CHKD	Wilson	MATL:	Wilson	TOLERANCE	Mason	DATE	17.06.2018
APPD:	Schumi			FINISH	Jamy		Sheet No.		1 from 5



Technical Specifications

Rated Voltage:	3,0	(Vp-p)
Operating Voltage:	2,0 ~ 4,0	(Vp-p)
Oscillation Frequency:	3100	Hz
Current Consumption (mA/max) rated V.	80	mA max.
Sound Pressure Level :@ 10cm rated V.	75	min. dB
Coil Resistance:	16 ±3	Ω
Operating Temperature:	-20~ +70	°C
Storage Temperature:	-30~ +80	°C
Dimensions:L x W x H	6,7 x 3,7	mm
Termination Material / Plated	Brass/ Tin Plated	
Material:		
Housing:	PPO / Black	
Termination:	Wire	
Packing Unit: TRAY	100	PCS

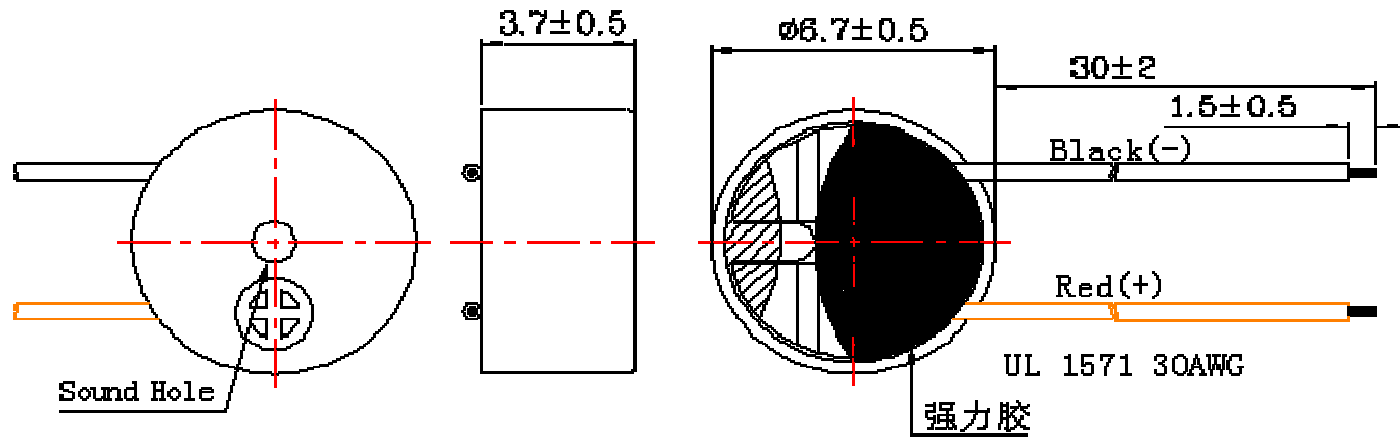
Frequency Chart (Distance= 10cm)



					Unspecified Tolerance (mm)					Electro Magnetic Transducer	
					X.	X.x	X.xx	X.xxx	X.xxxx		
DRW:	Jason	CHKD	Wilson	MATL:	Wilson	TOLERANCE	Mason	DATE	17.06.2018	Customer:	
APPD:	Schumi			FINISH	Jamy			Sheet No.	2 from 5		



Technical Drawing



Electro Magnetic Transducer	
Part No.:	Y11142
Customer:	

DRW:	Jason	CHKD	Wilson	MATL:	Wilson	TOLERANCE	Mason	DATE	17.06.2018
APPD:	Schumi			FINISH	Jamy		Sheet No.		3 from 5

EDCON-COMPONENTS



Ordering Informations

Serie	Length of Cable	Special function	Special function	ROHS	Packing Code					
-------	-----------------	------------------	------------------	------	--------------	--	--	--	--	--

Y11142	0030	A	N	R	TR					
--------	------	---	---	---	----	--	--	--	--	--

0030= 30mm	A= Red / Black Cable Colour	0= no special function	R= ROHS Conform	BU= Bulk Ware
	XXXX= Customer Request X= Customer Request		N= NON ROHS Conform	TU= TUBE Packing
		TY= TRAY Packing		
		TR= TAPE REEL Packing		
			IV= Individual Packing	

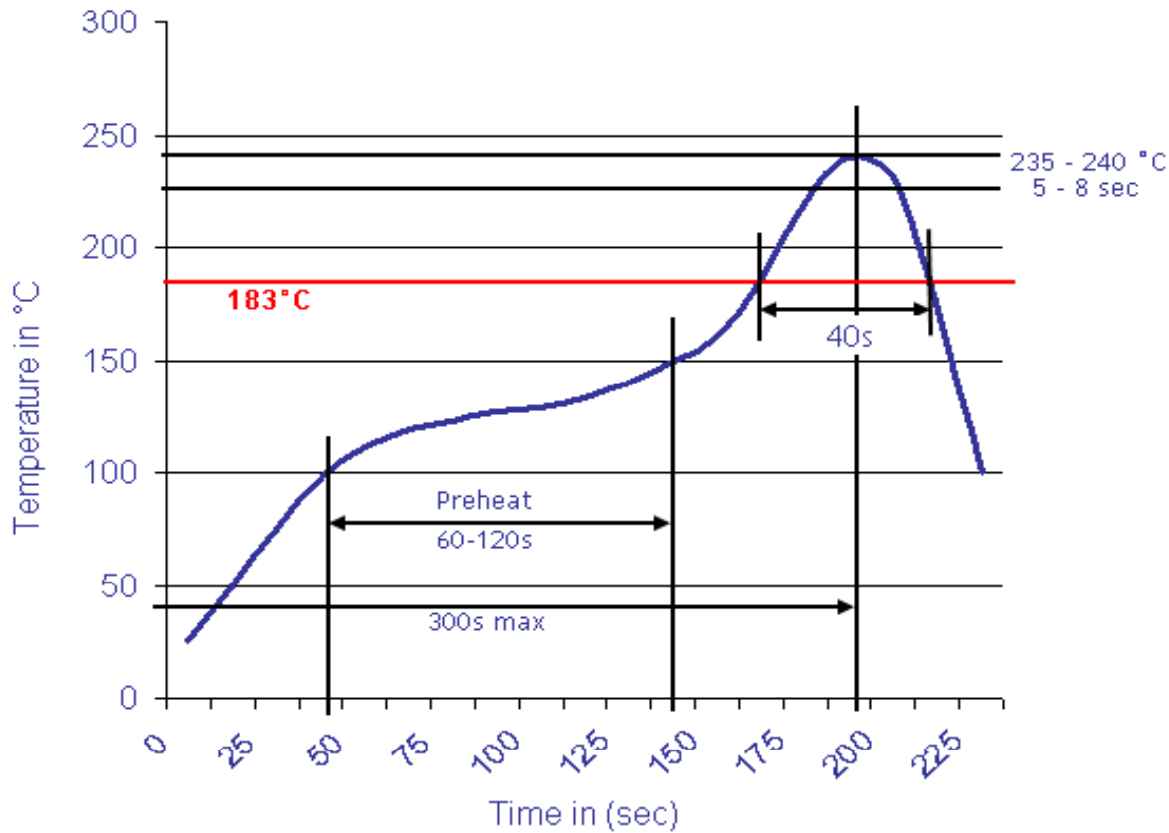
Electro Magnetic Transducer
Part No.: Y11142
Customer:

DRW:	Jason	CHKD	Wilson	MATL:	Wilson	TOLERANCE	Mason	DATE	17.06.2018
APPD:	Schumi			FINISH	Jamy		Sheet No.		4 from 5



Soldering Profile Curve

Classification Reflow Profile (JEDEC J-STD-020C)



**Electro Magnetic
 Transducer**

Part No.: **Y11142**

Customer:

DRW:	Jason	CHKD	Wilson	MATL:	Wilson	TOLERANCE	Mason	DATE	17.06.2018
APPD:	Schumi			FINISH	Jamy		Sheet No.	5 from 5	