

DATA SHEET

SMD Speaker

Serie: Y11140

SMD Speaker

Serie No.: **Y11140**

Customer:

DRW:	Jason	CHKD	Wilson	MATL:	Wilson	TOLERANCE	Mason	DATE	17.06.2018
APPD:	Schumi			FINISH	Jamy		Sheet No.		1 from 5

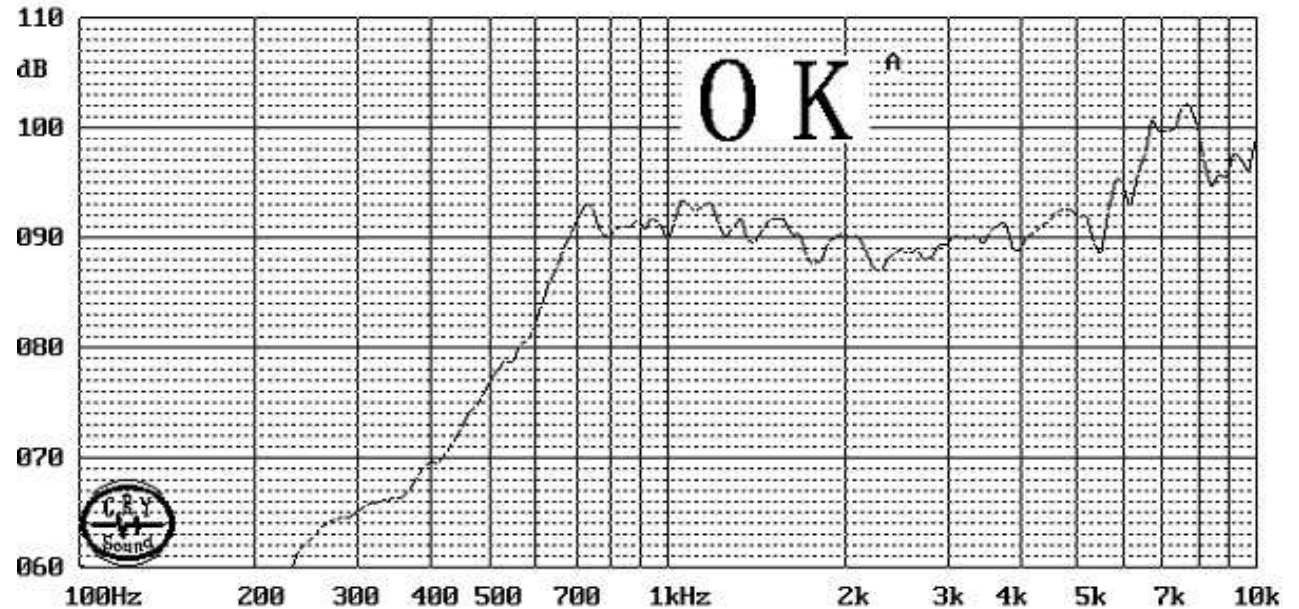
EDCON-COMPONENTS



Technical Specifications

Rated Impedance: (at 1KHz 1.0Vrms)	8 Ω \pm 15% Ω
Rated Power: (at 2,83Vrms)	0,5 W
Max. power (at 3,10Vrms)	0,8 W
Resonance Frequency: (Without Baffle)	800 \pm 20% Hz
Frequency Range:	F 0~6,0K Hz
Sound Pressure Level:	89 \pm 3 dB
(at 0,1M 0,5W 800 1K, 1,2K, 1,5K Average	
Distortion:	5% max.
Operating Temperature:	.+40 ~ +80 $^{\circ}$ C
Storage Temperature:	.+40 ~ +80 $^{\circ}$ C
Dimension	15,0 x 15,0 x 4,0 mm
Housing:	LCP / Black
	SMD
Packing Unit: Reel	600 PCS

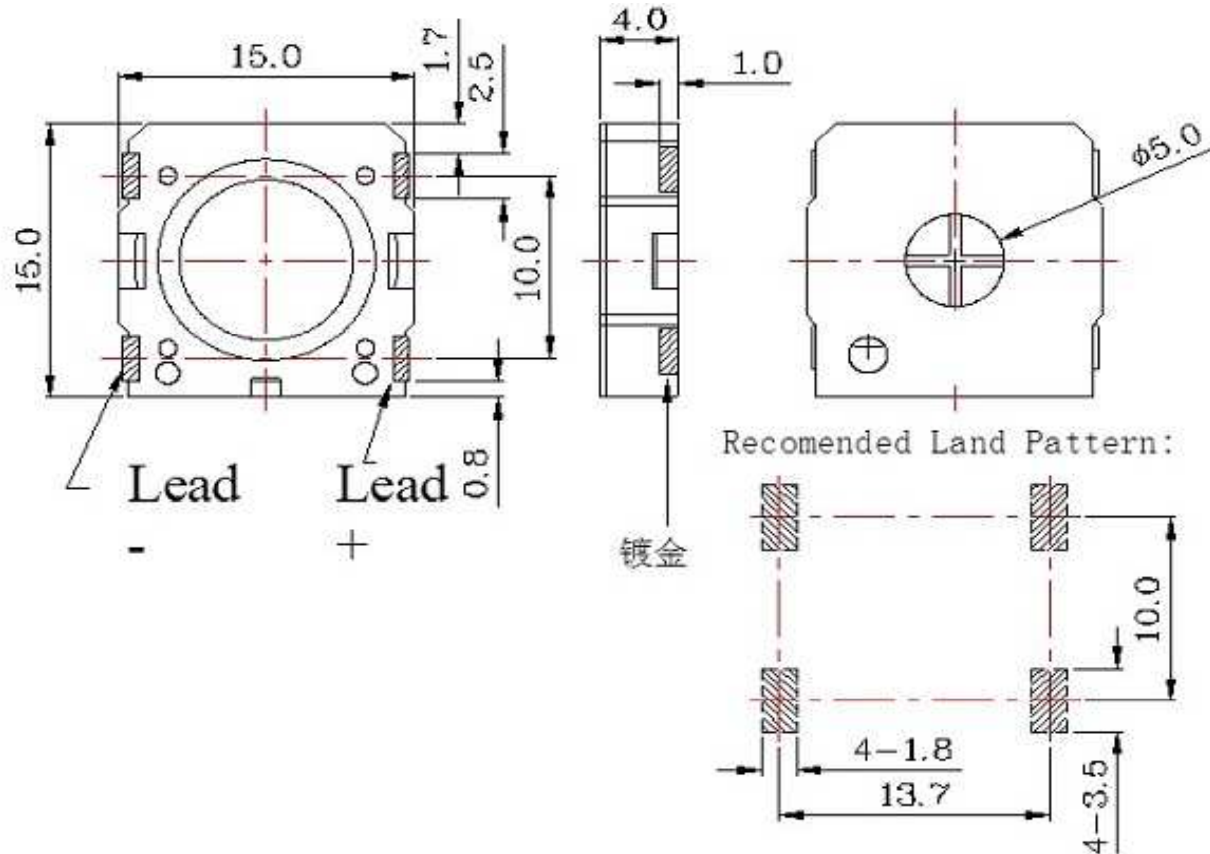
Frequency Chart



					Unspecified Tolerance (mm)					SMD Speaker
					X.	X.x	X.xx	X.xxx	X.xxxx	
DRW:	Jason	CHKD	Wilson	MATL:	Wilson	TOLERANCE	Mason	DATE	17.06.2018	Part No.: Y11140
APPD:	Schumi			FINISH	Jamy		Sheet No.		2 from 5	Customer:



Technical Drawing



SMD Speaker	
Part No.:	Y11140
Customer:	

DRW:	Jason	CHKD	Wilson	MATL:	Wilson	TOLERANCE	Mason	DATE	17.06.2018
APPD:	Schumi			FINISH	Jamy		Sheet No.		3 from 5

EDCON-COMPONENTS



Ordering Informations

Serie	Special function	Special function	Special function	ROHS	Packing Code					
Y11140	N	N	N	R	TR					

0= no special function	0= no special function	0= no special function	R= ROHS Conform	BU= Bulk Ware
			N= NON ROHS Conform	TU= TUBE Packing
				TY= TRAY Packing
				TR= TAPE REEL Packing
				IV= Individual Packing

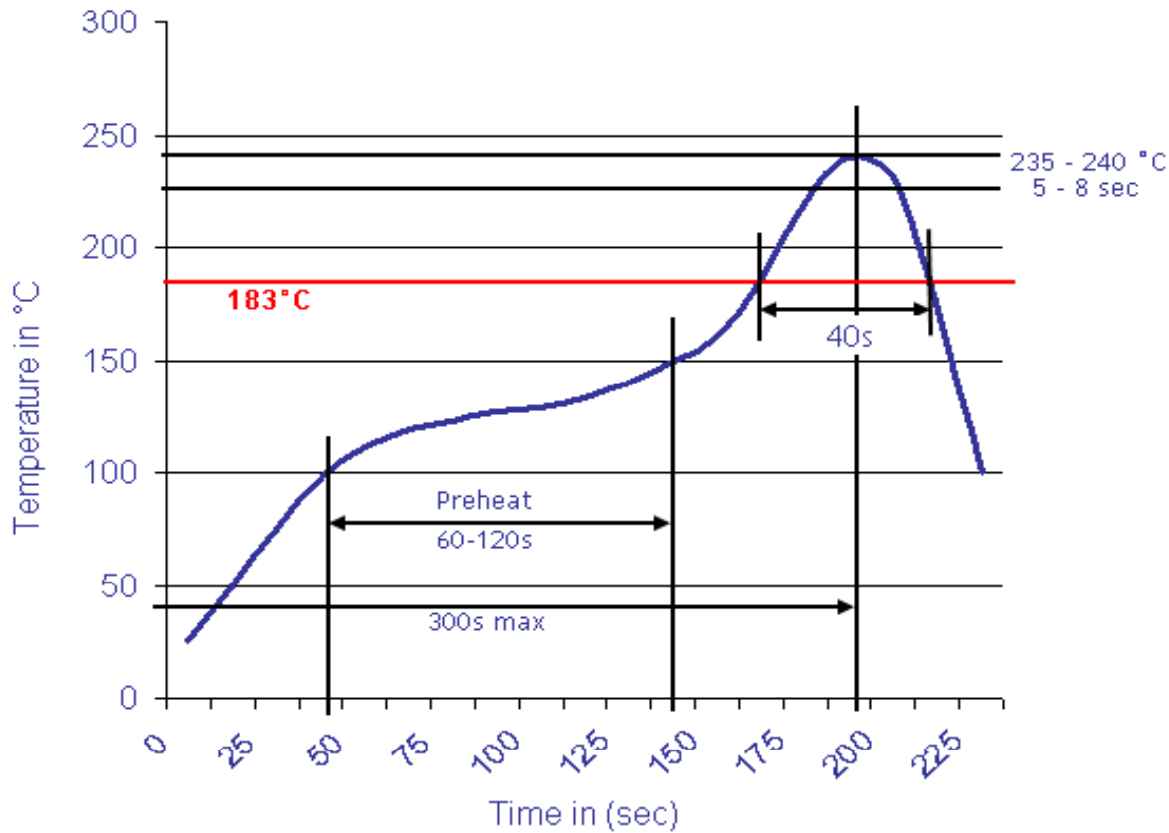
SMD Speaker
Part No.: Y11140
Customer:

DRW:	Jason	CHKD	Wilson	MATL:	Wilson	TOLERANCE	Mason	DATE	17.06.2018
APPD:	Schumi			FINISH	Jamy		Sheet No.		4 from 5



Soldering Profile Curve

Classification Reflow Profile (JEDEC J-STD-020C)



SMD Speaker	
Part No.:	Y11140
Customer:	

DRW:	Jason	CHKD	Wilson	MATL:	Wilson	TOLERANCE	Mason	DATE	17.06.2018
APPD:	Schumi			FINISH	Jamy		Sheet No.	5 from 5	