

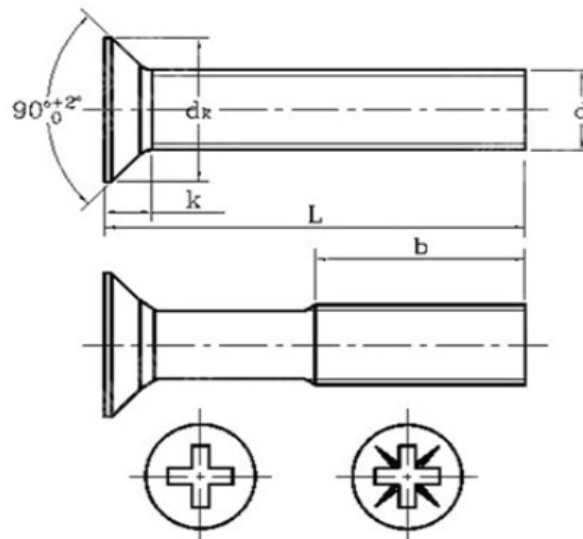
# EDCON-COMPONENTS



## Technical Description

Mode of action: Self-Locking-Type  
 Size: M4,0  
 Screw Specification: 0,2

Head Type: Head Slotted Countersunk  
 Steel Grade: 4,8  
 Thread Tol.: ± 0,05mm  
 Material: Stainless Steel  
 Surface of Thread: Nickel Plated



d	3,0	mm
dk	8,4	mm
k	8,04	mm
Angle	90°	

## Screw Length Order Code Table

Code	Length	
A01	5,0	mm
A02	6,0	mm
A03	8,0	mm
A04	10,0	mm
A05	12,0	mm
A06	14,0	mm
A07	16,0	mm
A08	18,0	mm
A09	20,0	mm
A10	25,0	mm
A11	30,0	mm
A12	35,0	mm
A13	40,0	mm
A14	45,0	mm
A15	50,0	mm
A16		mm
A17		mm
A18		mm
A19		mm
A20		mm

Serie	Length Code	Material	Surface Treatment	Color of Screw	ROHS	Packing
-------	-------------	----------	-------------------	----------------	------	---------

N48031	-	A01	S48	NI	00	R	BU
--------	---	-----	-----	----	----	---	----

<b>Axx</b> = Look order code Table	<b>S48</b> = Steel Material Grade 4,8	<b>NI</b> = Nickel Plated	<b>00</b> = surfaced Colored (Standard)	<b>R</b> = ROHS Conform	<b>BU</b> = Bulk-Ware
			<b>BK</b> = black colored	<b>N</b> = NON ROHS Conform	<b>IV</b> = Individual Package

**Self-Locking Screw Size**  
**M4,0**

Part No.: **N48031**

DRW:	Jason	CHKD	Wilson	MATL:	Wilson	TOLERANCE	Mason	DATE	27.10.2015
APPD:	Schumi			FINISH	Jamy		Sheet No.		1 from 1

Customer:  
 email: info@edcon-components.com