

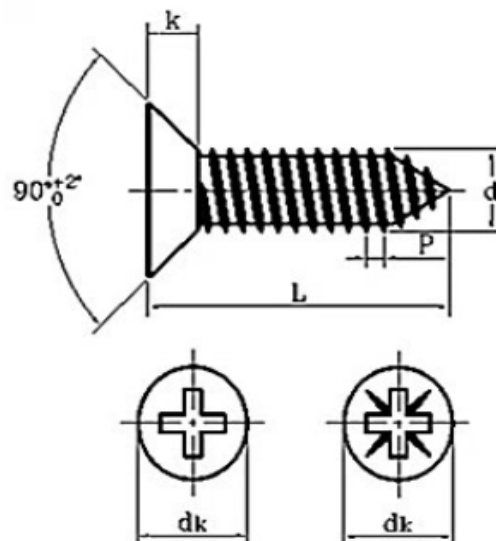
EDCON-COMPONENTS



Technical Description

Mode of action: Self Tapping Screw
 Size: M3,5
 Screw Specification: 0,2

Head Type: Head Slotted Countersunk
 Steel Grade: 4,8
 Thread Tol.: ± 0,05mm
 Material: Stainless Steel
 Surface of Thread: Nickel Plated



| | | |
|-------|-----|----|
| d | 5,0 | mm |
| dk | 6,5 | mm |
| k | 2,5 | mm |
| Angle | 90° | |

Screw Length Order Code Table

| Code | Length | |
|------|--------|----|
| A01 | 8,0 | mm |
| A02 | 10,0 | mm |
| A03 | 12,0 | mm |
| A04 | 14,0 | mm |
| A05 | 16,0 | mm |
| A06 | 18,0 | mm |
| A07 | 20,0 | mm |
| A08 | 25,0 | mm |
| A09 | 30,0 | mm |
| A10 | 35,0 | mm |
| A11 | 40,0 | mm |
| A12 | 45,0 | mm |
| A13 | 50,0 | mm |
| A14 | | mm |
| A15 | | mm |
| A16 | | mm |
| A17 | | mm |
| A18 | | mm |
| A19 | | mm |
| A20 | | mm |

| Serie | Length Code | Material | Surface Treatment | Color of Screw | ROHS | Packing |
|-------|-------------|----------|-------------------|----------------|------|---------|
|-------|-------------|----------|-------------------|----------------|------|---------|

| | | | | | | | |
|--------|---|-----|-----|----|----|---|----|
| N48020 | - | A01 | S48 | NI | 00 | R | BU |
|--------|---|-----|-----|----|----|---|----|

| | | | | | |
|----------------------------|-------------------------------|-------------------|---------------------------------|---------------------|------------------------|
| Axx= Look order code Table | S48= Steel Material Grade 4,8 | NI= Nickel Plated | 00= surfaced Colored (Standard) | R= ROHS Conform | BU= Bulk-Ware |
| | | | BK= black colored | N= NON ROHS Conform | IV= Individual Package |

**Self-Tapping Screw Size
M3,5**

Part No.: **N48020**

| | | | | | | | | | |
|-------|--------|------|--------|--------|--------|-----------|-----------|------|------------|
| DRW: | Jason | CHKD | Wilson | MATL: | Wilson | TOLERANCE | Mason | DATE | 27.10.2015 |
| APPD: | Schumi | | | FINISH | Jamy | | Sheet No. | | 1 from 1 |

Customer: