

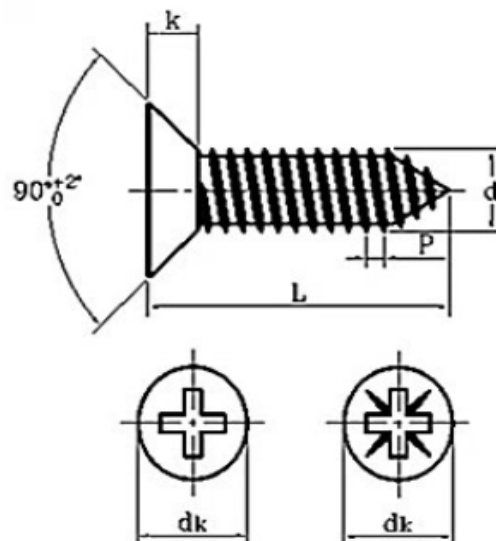
# EDCON-COMPONENTS



## Technical Description

Mode of action: Self Tapping Screw  
 Size: M2,0  
 Screw Specification: 0,2

Head Type: Head Slotted Countersunk  
 Steel Grade: 4,8  
 Thread Tol.: ± 0,05mm  
 Material: Stainless Steel  
 Surface of Thread: Nickel Plated



d	2,0	mm
dk	3,7	mm
k	1,21	mm
Angle	90°	

## Screw Length Order Code Table

Code	Length	
A01	3,0	mm
A02	4,0	mm
A03	5,0	mm
A04	6,0	mm
A05	7,0	mm
A06	8,0	mm
A07	10,0	mm
A08	12,0	mm
A09	14,0	mm
A10		mm
A11		mm
A12		mm
A13		mm
A14		mm
A15		mm
A16		mm
A17		mm
A18		mm
A19		mm
A20		mm

Serie	Length Code	Material	Surface Treatment	Color of Screw	ROHS	Packing
-------	-------------	----------	-------------------	----------------	------	---------

N48016	-	A01	S48	NI	00	R	BU
--------	---	-----	-----	----	----	---	----

Axx= Look order code Table	S48= Steel Material Grade 4,8	NI= Nickel Plated	00= surfaced Colored (Standard)	R= ROHS Conform	BU= Bulk-Ware
			BK= black colored	N= NON ROHS Conform	IV= Individual Package

**Self-Tapping Screw Size  
M2,0**

Part No.: **N48016**

DRW:	Jason	CHKD	Wilson	MATL:	Wilson	TOLERANCE	Mason	DATE	27.10.2015
APPD:	Schumi			FINISH	Jamy		Sheet No.		1 from 1

Customer:  
 email: info@edcon-components.com