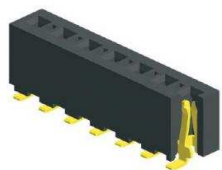


# EDCON-COMPONENTS



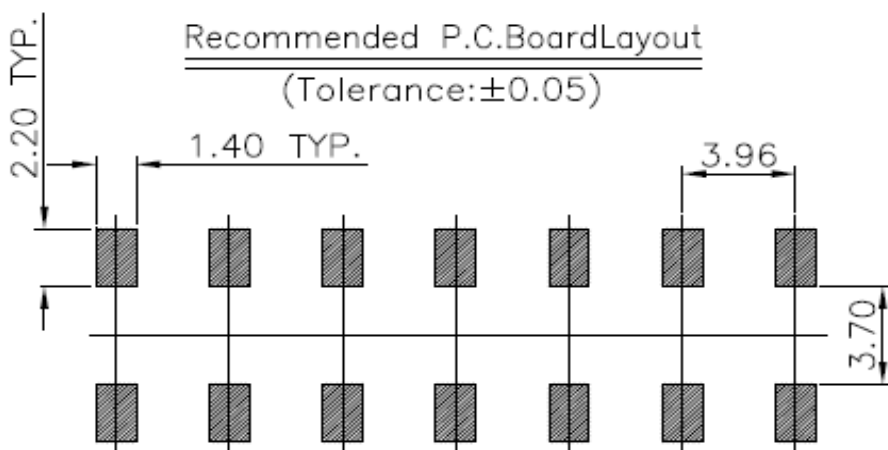
**Contact**



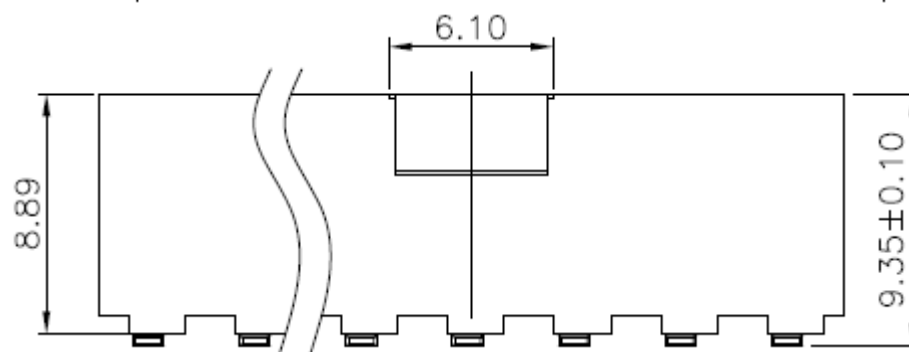
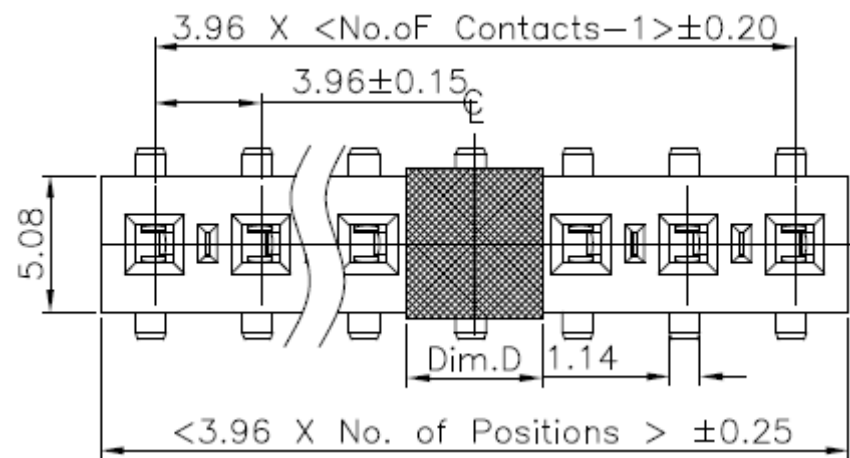
## Specifications

Current Rating:	7,9 Ampere
Insulator Resistance:	1000 Megaohm min.
Contact Resistance	20m Ohm max.
Dielectric Withstanding:	AC 1000V
Operating Temperature:	.-40°C to +105°C
Contact Material:	Brass
Insulator Material:	Polyester / LCP or Equivalent Mat
Contact:	Three Finger Power Contact
Contact Plating:	Tin, Gold or Selective Plated
Standard:	Gold Flash / Tin plated

## P.C.B Layout



## Drawing



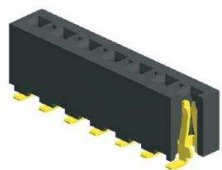
**SMT Female Header Pitch  
5,08mm**

Part No.: **T27G002-**

Customer:

DRW:	Jason	CHKD	Wilson	MATL:	Wilson	TOLERANCE	Mason	DATE	17.03.2015
APPD:	Schumi			FINISH	Jamy		Sheet No.	1 from 4	

# EDCON-COMPONENTS



**Contact**

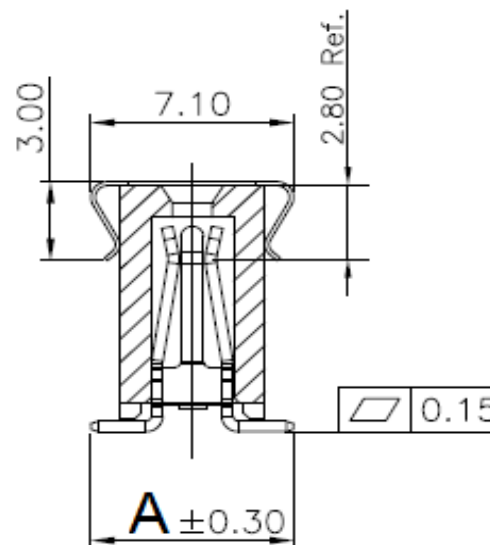


## Pin Code length table free configuration

Order Code	Dimension (mm)			
	A			
A01	7,10			
A02				
A03				
A04				
A05				
A06				
A07				
A08				
A09				
A10				
A11				
A12				
A13				
A14				
A15				
A16				
A17				
A18				
A19				
A20				
A21				
A22				

Order Code	Dimension (mm)			
	A			
A23				
A24				
A25				
A26				
A27				
A28				
A29				
A30				
A31				
A32				
A33				
A34				
A35				
A36				
A37				
A38				
A39				
A40				
A41				
A42				
A43				
A44				

Current Rating		
Ambient Temp	2Pin	4Pin
20°C	25A	22A
40°C	24A	19A
60°C	17A	15,5A
75°C	14,40	12,7A
105°C	7,90	7,90



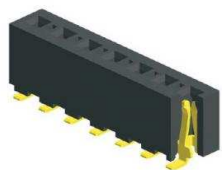
**SMT Female Header Pitch  
5,08mm**

Part No.: **T27G002-**

Customer:

DRW:	Jason	CHKD	Wilson	MATL:	Wilson	TOLERANCE	Mason	DATE	17.03.2015
APPD:	Schumi			FINISH	Jamy		Sheet No.	2 from 4	

# EDCON-COMPONENTS



**Contact**



## Ordering Informations

Serie	No. of Pos.	Construction	Contact Plating	Material	Special function	Pin Length Code	ROHS	Packing		
<b>T27G002-</b>	<b>XX</b>	<b>SS</b>	<b>G0</b>	<b>LC</b>	<b>0</b>	<b>A01</b>	<b>R</b>	<b>TC</b>		

<b>XX=</b> Total Pin 02 ~ 24	<b>ST=</b> Straight THT	<b>G0=</b> Gold Flash (Standard)	<b>PB=</b> P.B.T	<b>0=</b> no function	siehe Table No. 1	<b>N=</b> NO ROHS conform	<b>BU=</b> Bulk (Standard)
		<b>T0=</b> Tin plated	<b>NY=</b> Nylon-6T			<b>R=</b> ROHS conform	<b>TU=</b> Tube w/o Cap
		<b>GA=</b> 10µ Gold Plating	<b>LC=</b> LCP				<b>TC=</b> Tube w. pic and Place Cap
		<b>GB=</b> 15µ Gold Plating					<b>TY=</b> Tray packing w/o Cap
		<b>GC=</b> 20µ Gold Plating					<b>TR=</b> Tape/Reel w. pic and Place Cap
		<b>S0=</b> Selectiv Plating Gold Flash / Tin					
		<b>TN=</b> Tin Plated					

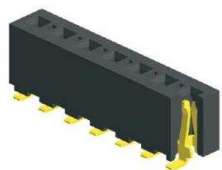
**SMT Female Header Pitch  
5,08mm**

Part No.: **T27G002-**

DRW:	Jason	CHKD	Wilson	MATL:	Wilson	TOLERANCE	Mason	DATE	17.03.2015
APPD:	Schumi			FINISH	Jamy		Sheet No.		3 from 4

Customer:

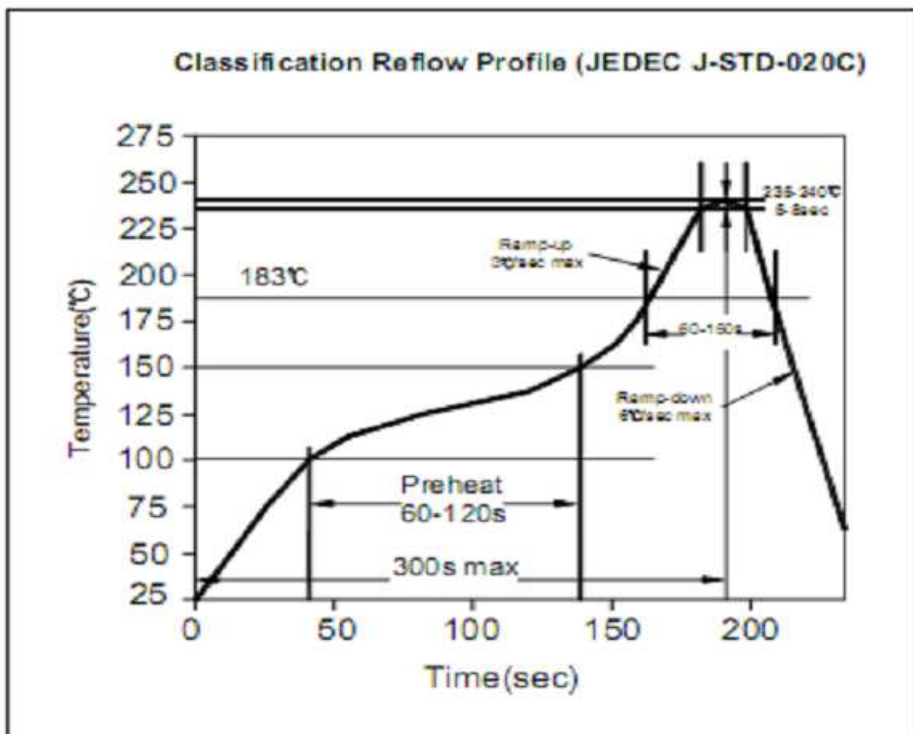
# EDCON-COMPONENTS



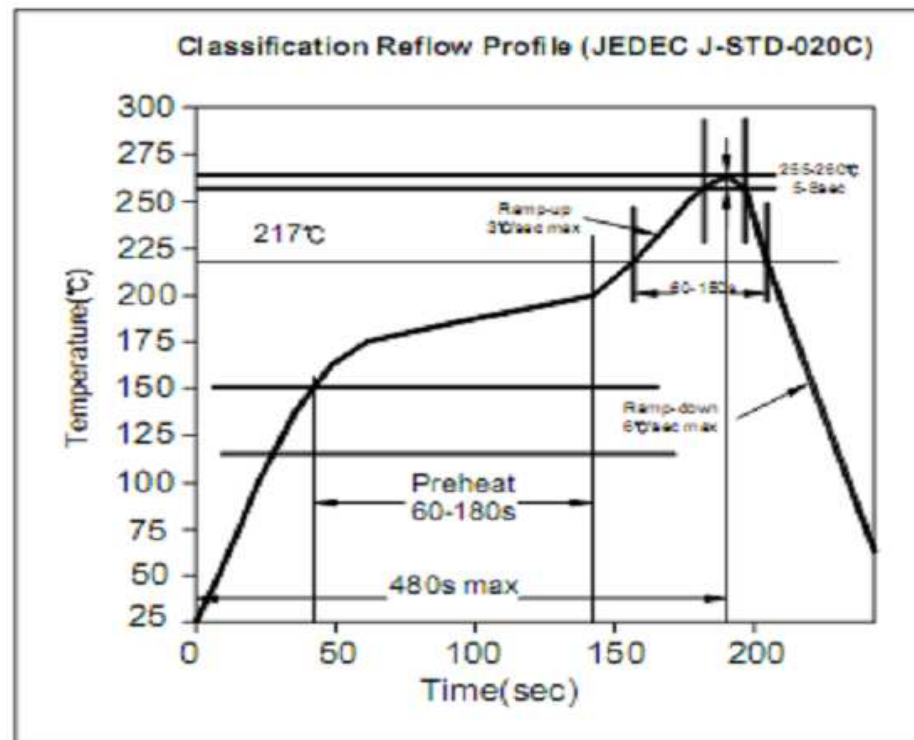
**Contact**



## Soldering Profile for Lead Soldering ( P.B.T. )



## Soldering Profile for Lead Free Soldering ( Nylon 6T )



**SMT Female Header Pitch  
5,08mm**

Part No.: **T27G002-**

DRW:	Jason	CHKD	Wilson	MATL:	Wilson	TOLERANCE	Mason	DATE	17.03.2015	Customer:
APPD:	Schumi			FINISH	Jamy		Sheet No.	4 from 4		