

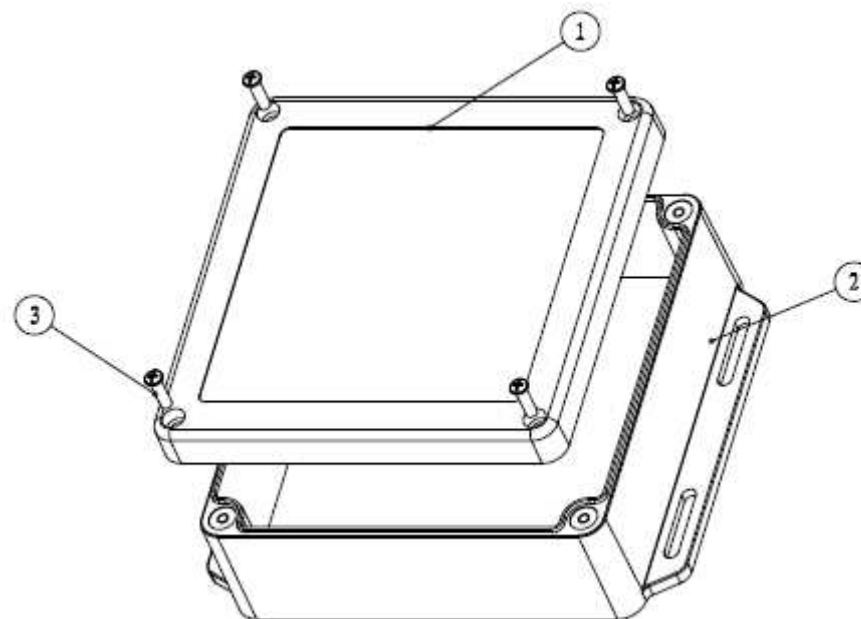
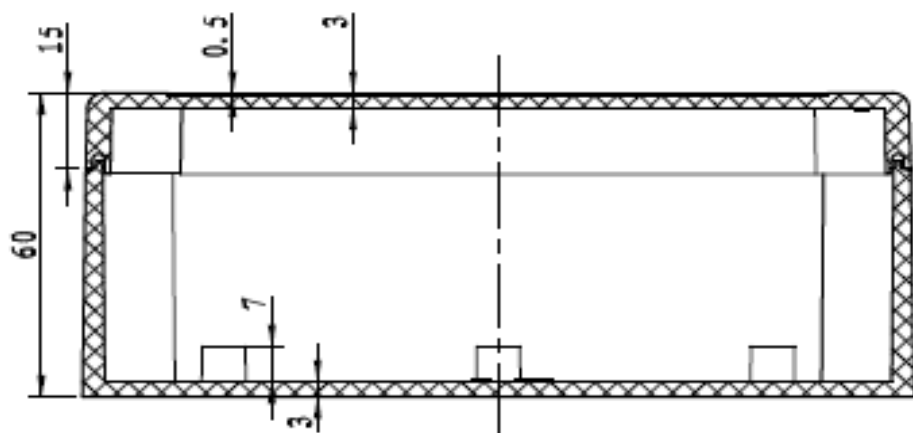
EDCON-COMPONENTS



Description

Body included Cover
 Included Sealing Ring
 Included Screw for Cover

Dimensions (mm)



Electronic Enclosure 180x150x60mm	
Part No.:	H80148
Customer:	

DRW:	Jason	CHKD	Wilson	MATL:	Wilson	TOLERANCE	Mason	DATE	04.09.2012
APPD:	Schumi			FINISH	Jamy		Sheet No.		1 from 3

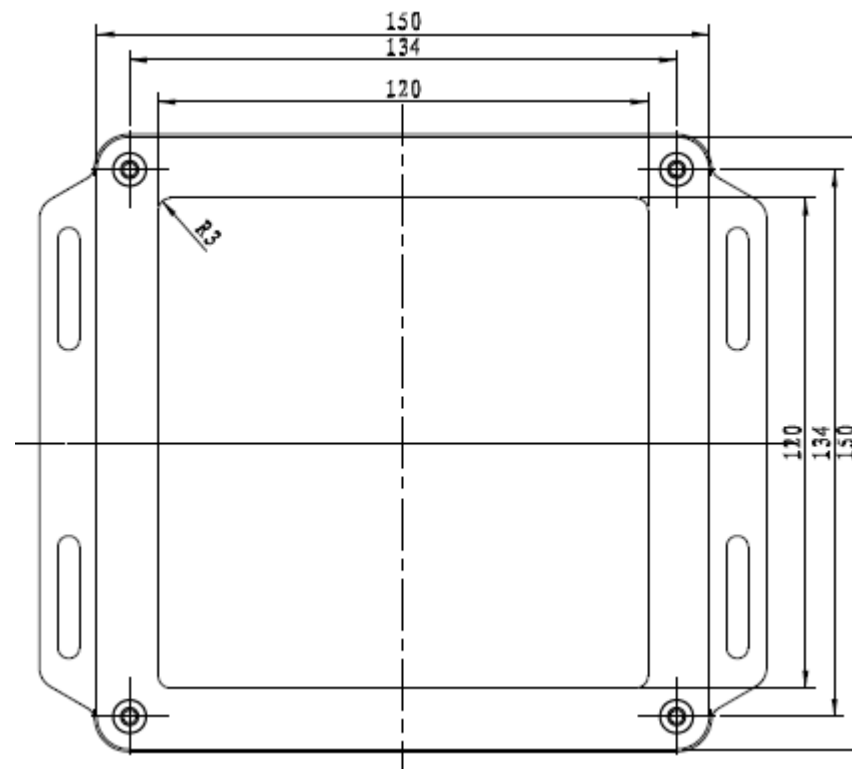
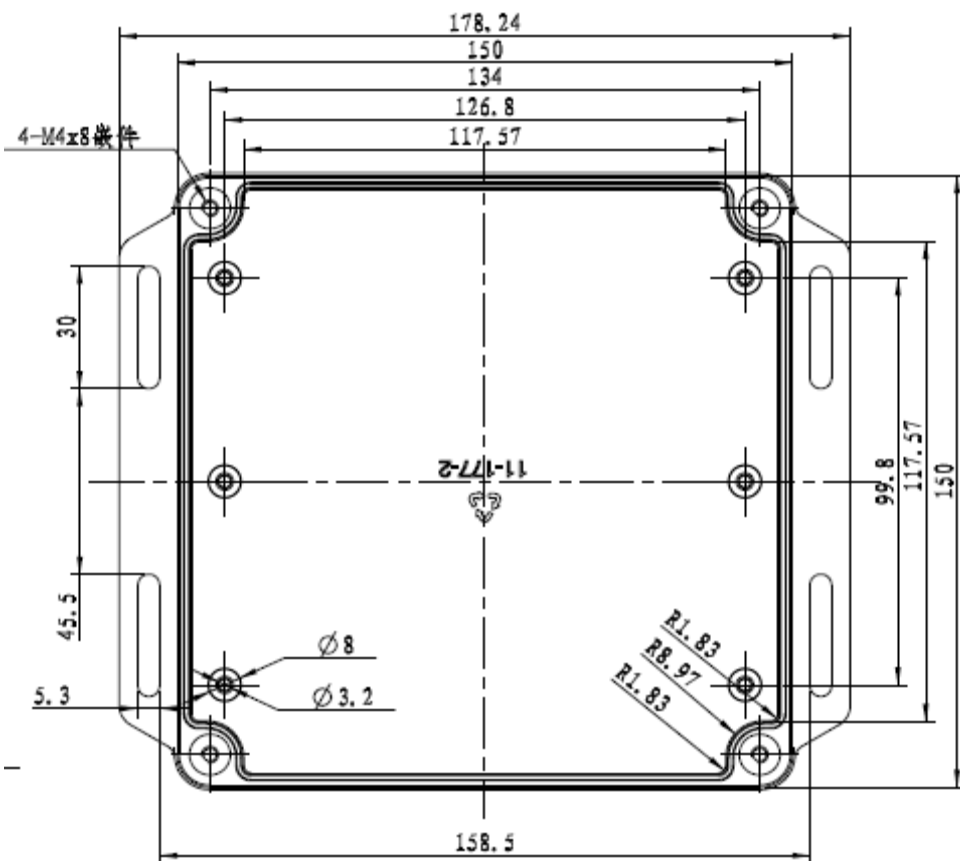
www.edcon-components.com

email: info@edcon-components.com

EDCON-COMPONENTS



Dimension (mm)



Electronic Enclosure 180x150x60mm	
Part No.:	H80148
Customer:	

DRW:	Jason	CHKD	Wilson	MATL:	Wilson	TOLERANCE	Mason	DATE	04.09.2012
APPD:	Schumi			FINISH	Jamy		Sheet No.	2 from 3	

www.edcon-components.com

email: info@edcon-components.com



Ordering Informations

Serie	Material Body	Material Cover	Color Body	Color Cover	ROHS	Packing				
-------	---------------	----------------	------------	-------------	------	---------	--	--	--	--

H80148	-	A	A	DG	TC	R	S			
---------------	---	----------	----------	-----------	-----------	----------	----------	--	--	--

A= Material ABS	A= Material ABS	DG= Dark Gray	DG= Dark Gray	R= ROHS Conform	S= Standard Carton
P= Polycarbonat	P= Polycarbonat	LG= Light Gray	LG= Light Gray	N= NON ROHS Conform	I= Individual Package
			TC= Transparent Clear		
			TS= Transparent Smoky		

Electronic Enclosure 180x150x60mm
Part No.: H80148
Customer:

DRW:	Jason	CHKD	Wilson	MATL:	Wilson	TOLERANCE	Mason	DATE	04.09.2012
APPD:	Schumi			FINISH	Jamy		Sheet No.		3 from 3