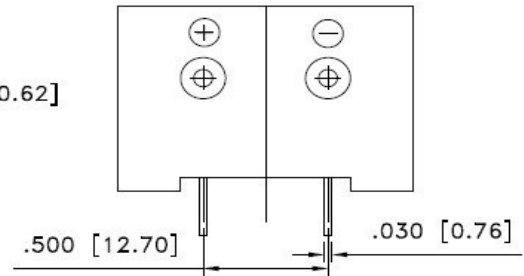
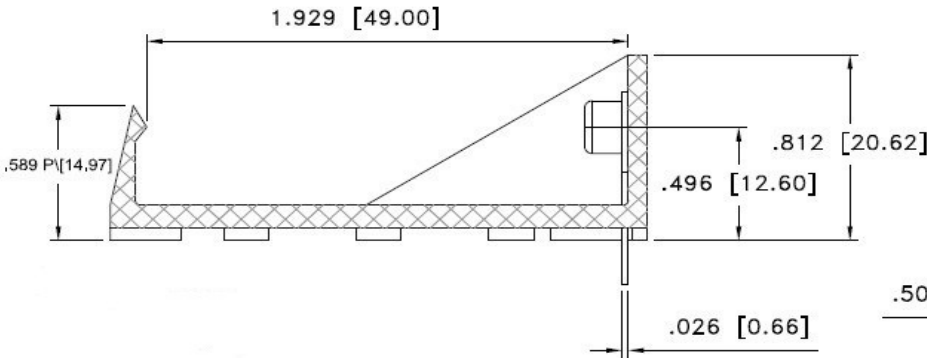
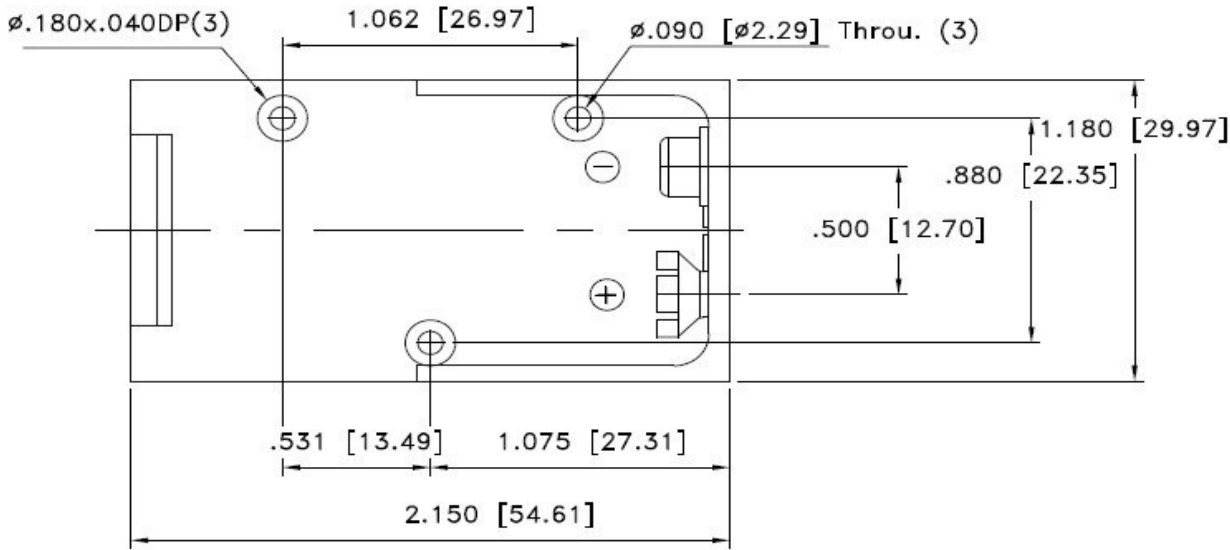
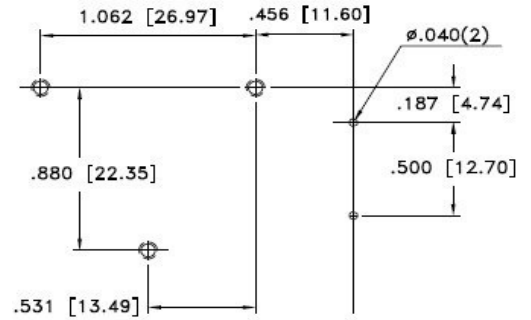




**Technical Specifications**

Insulator Material: ABS, UL94-V0  
 Temperature Rating: -55°C ~ 105°C  
 Contact Material: Phosphor Bronze  
 Contact: Tin Plated over Nickel  
 Application for: 9V Battery

**PCB Layout**



X=	X.X=	X.XX=	X.XXX=	Angle
±0,35	±0,25	±0,20	±0,15	±5°

**Ordering Information**

Serie	Material	Body Colour	ROHS	Packing		
<b>B25002</b>	<b>A</b>	<b>B</b>	<b>R</b>	<b>B</b>		

<b>A= ABS</b>	<b>B=Black</b>	<b>N= Non ROHS</b>	<b>B= Bulk-Ware</b>
		<b>R= ROHS</b>	<b>TY=Tray</b>
			<b>TR=TapeReel</b>

**9V Battery Holder**

Part No.: **B25002**

Customer:

DRW:	Jason	CHKD	Jules	MATL:	Wu	DATE	24.09.2021
APPD:	Join			FINISH	Shieh	Sheet	1 from 1