

EDCON-COMPONENTS



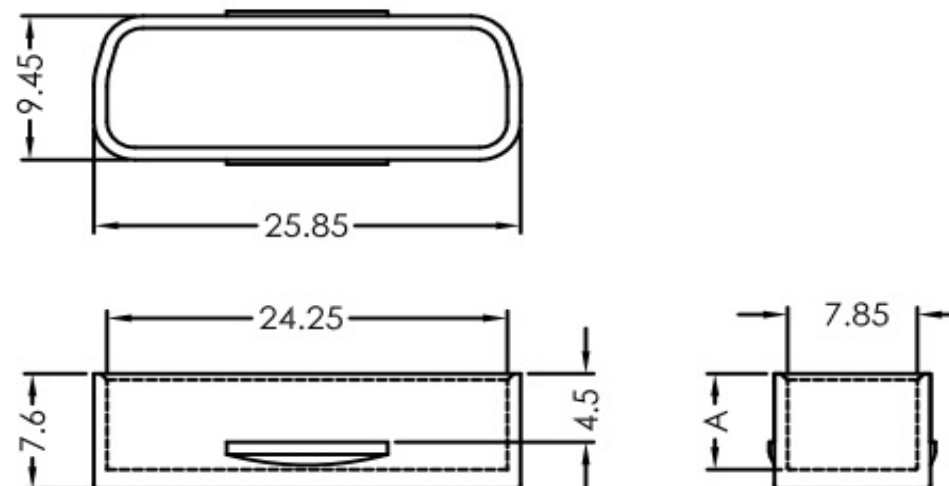
Technical Discription

Material: PP
 Flame Class: Class UL94HB
 Color: Standard Black
 other colour available

Drawing

Dimension (mm)

A	6,3	



DVI Connector Dust Cap

Part No.: **N51032**

DRW:	Jason	CHKD	Wilson	MATL:	Wilson	TOLERANCE	Mason	DATE	04.02.2017	Customer:
APPD:	Schumi			FINISH	Jamy		Sheet No.	1 from 2		

EDCON-COMPONENTS



Ordering Informations

Serie	Color of Cap	Spezial Function	Spezial Function	Spezial Function	ROHS	Packing				
-------	--------------	------------------	------------------	------------------	------	---------	--	--	--	--

N51032	BK	0	0	0	R	BU				
---------------	-----------	----------	----------	----------	----------	-----------	--	--	--	--

	0= No function	0= No function	0= No function	R= ROHS Conform	BU= Bulk-Ware 100PCS
BK= Black					

DVI Connector Dust Cap
Part No.: N51032
Customer:

DRW:	Jason	CHKD	Wilson	MATL:	Wilson	TOLERANCE	Mason	DATE	04.02.2017
APPD:	Schumi			FINISH	Jamy		Sheet No.	2 from 2	