

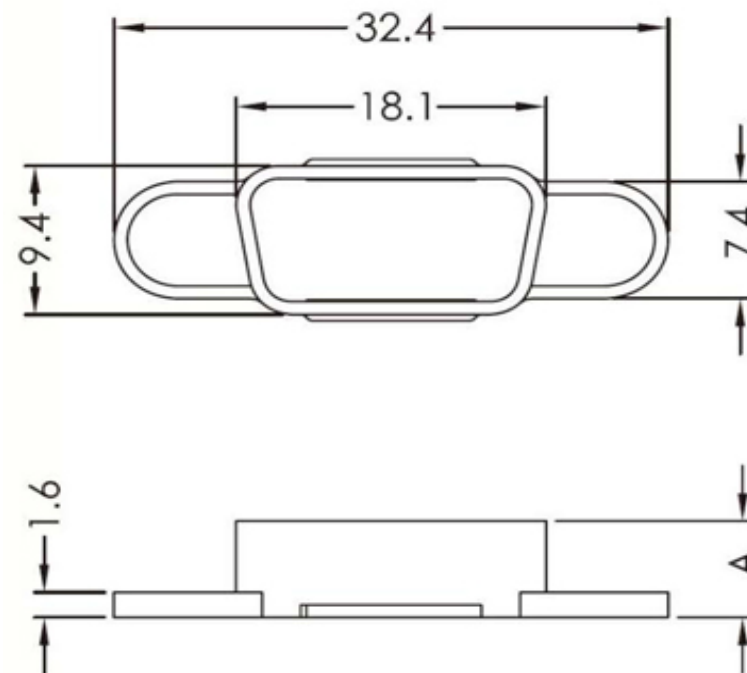
# EDCON-COMPONENTS



## Technical Discription

Material: PP  
 Flame Class: Class UL94HB  
 Color: Standard Milky  
 other colour available

## Drawing



### Dimension (mm)

A	6,1	

**D-Type Connector Dust Cap**

Part No.: **N51028**

DRW:	Jason	CHKD	Wilson	MATL:	Wilson	TOLERANCE	Mason	DATE	04.02.2017
APPD:	Schumi			FINISH	Jamy		Sheet No.	1 from 2	

Customer:

# EDCON-COMPONENTS



## Ordering Informations

Serie	Color of Cap	Spezial Function	Spezial Function	Spezial Function	ROHS	Packing				
-------	--------------	------------------	------------------	------------------	------	---------	--	--	--	--

<b>N51028</b>	-	<b>MI</b>	<b>0</b>	<b>0</b>	<b>0</b>	<b>R</b>	<b>BU</b>			
---------------	---	-----------	----------	----------	----------	----------	-----------	--	--	--

<b>MI= Milky</b>	<b>0= No function</b>	<b>0= No function</b>	<b>0= No function</b>	<b>R= ROHS Conform</b>	<b>BU= Bulk-Ware 100PCS</b>

<b>D-Type Connector Dust Cap</b>
Part No.: <b>N51028</b>
Customer:

DRW:	Jason	CHKD	Wilson	MATL:	Wilson	TOLERANCE	Mason	DATE	04.02.2017
APPD:	Schumi			FINISH	Jamy		Sheet No.	2 from 2	