

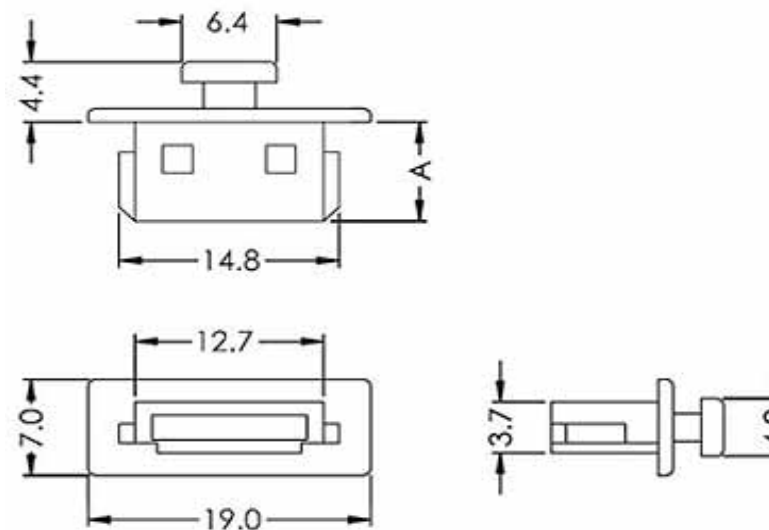
# EDCON-COMPONENTS



## Technical Discription

Material: ABS  
 Flame Class: Class UL94HB  
 Color: Standard Black  
 other colour available

## Drawing



Dimension (mm)

A	7,2	

### RJ-45 Dust Cap

Part No.: **N51017**

Customer:

DRW:	Jason	CHKD	Wilson	MATL:	Wilson	TOLERANCE	Mason	DATE	04.02.2017
APPD:	Schumi			FINISH	Jamy		Sheet No.	1 from 2	

# EDCON-COMPONENTS



## Ordering Informations

Serie	Color of Cap	Spezial Function	Spezial Function	Spezial Function	ROHS	Packing				
-------	--------------	------------------	------------------	------------------	------	---------	--	--	--	--

<b>N51017</b>	<b>BK</b>	<b>0</b>	<b>0</b>	<b>0</b>	<b>R</b>	<b>BU</b>				
---------------	-----------	----------	----------	----------	----------	-----------	--	--	--	--

<b>BK= Black</b>	<b>0= No function</b>	<b>0= No function</b>	<b>0= No function</b>	<b>R= ROHS Conform</b>	<b>BU= Bulk-Ware 100PCS</b>

<b>RJ-45 Dust Cap</b>	
Part No.:	<b>N51017</b>
Customer:	

DRW:	Jason	CHKD	Wilson	MATL:	Wilson	TOLERANCE	Mason	DATE	04.02.2017
APPD:	Schumi			FINISH	Jamy			Sheet No.	2 from 2