

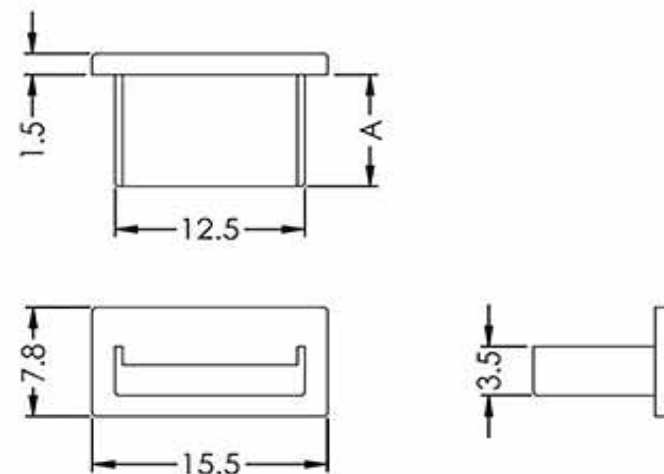
EDCON-COMPONENTS



Technical Discription

Material: PP
 Flame Class: Class UL94HB
 Color: Standard Black
 other colour available

Drawing



Dimension (mm)

A	8,0	

RJ-45 Dust Cap

Part No.: **N51016**

Customer:

DRW:	Jason	CHKD	Wilson	MATL:	Wilson	TOLERANCE	Mason	DATE	04.02.2017
APPD:	Schumi			FINISH	Jamy		Sheet No.	1 from 2	

EDCON-COMPONENTS



Ordering Informations

Serie	Color of Cap	Spezial Function	Spezial Function	Spezial Function	ROHS	Packing				
-------	--------------	------------------	------------------	------------------	------	---------	--	--	--	--

N51016	BK	0	0	0	R	BU				
---------------	-----------	----------	----------	----------	----------	-----------	--	--	--	--

BK= Black	0= No function	0= No function	0= No function	R= ROHS Conform	BU= Bulk-Ware 100PCS

RJ-45 Dust Cap	
Part No.:	N51016
Customer:	

DRW:	Jason	CHKD	Wilson	MATL:	Wilson	TOLERANCE	Mason	DATE	04.02.2017
APPD:	Schumi			FINISH	Jamy			Sheet No.	2 from 2