

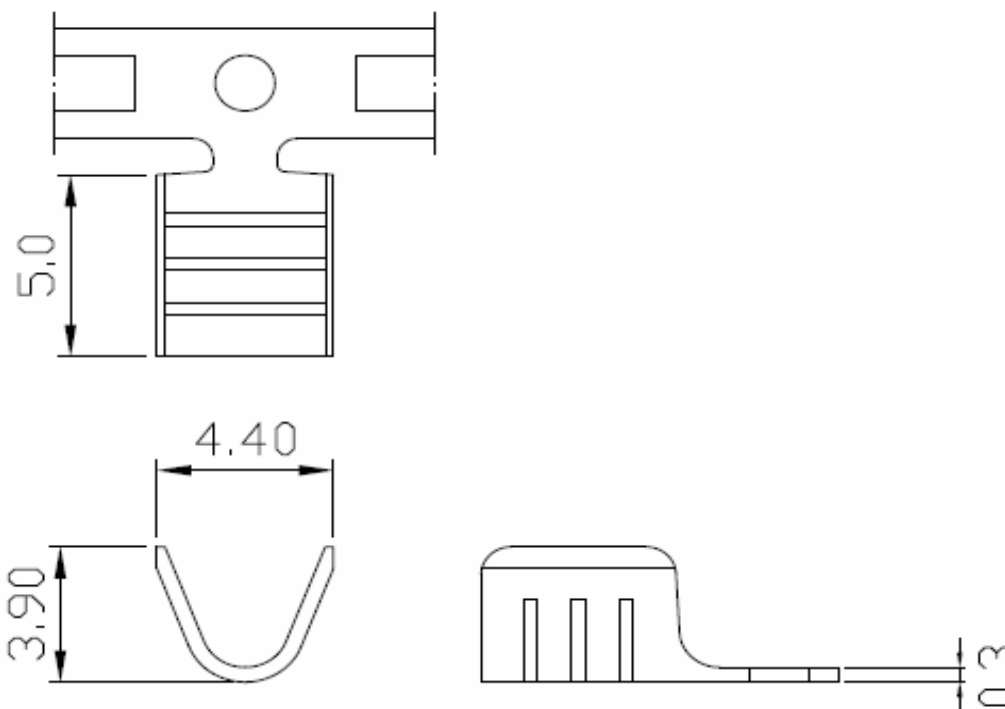
EDCON-COMPONENTS



Discription Terminal

Drawing (mm)

Material: Brass



Dimension (mm)

Size Type	Material	Thickness	Wire Range	QTY/Reel
A	Brass	0,4	AWG 8~14	3000
B	Brass	0,5	AWG 8~14	3000

**Cord End Terminal for
Cable assembling**

Part No.:

Customer:

DRW:	Jason	CHKD	Wilson	MATL:	Wilson	TOLERANCE	Mason	DATE	30.10.2010
APPD:	Schumi			FINISH	Jamy		Sheet No.		1 from 2

EDCON-COMPONENTS



Ordering Informations

Terminal

Serie	Size	ROHS	Packing			
N38193	A	R	BU			

A= Size A	R= ROHS Conform	BU= Bulk-Ware
B= Size B	N= NON ROHS Conform	

**Cord End Terminal for
Cable assembling**

Part No.: **N38193**

Customer:

DRW:	Jason	CHKD	Wilson	MATL:	Wilson	TOLERANCE	Mason	DATE	30.10.2010
APPD:	Schumi			FINISH	Jamy		Sheet No.		2 from 2