

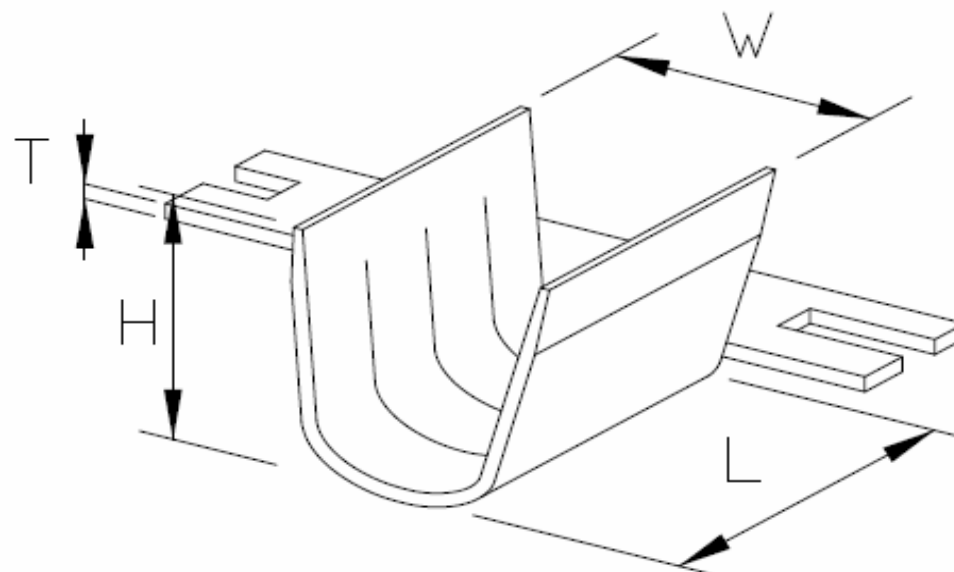
EDCON-COMPONENTS



Description Terminal

Drawing (mm)

Material: Brass



Dimension (mm)

Size Type	Material	L	T	W	H
A	Brass	3,3	0,3	4,5	3,6
B	Brass	5,0	0,5	4,5	3,9

**Cord End Terminal for
Cable assembling**

Part No.:

Customer:

DRW:	Jason	CHKD	Wilson	MATL:	Wilson	TOLERANCE	Mason	DATE	30.10.2010
APPD:	Schumi			FINISH	Jamy		Sheet No.		1 from 2

www.edcon-components.com

email: info@edcon-components.com

EDCON-COMPONENTS



Ordering Informations

Terminal

Serie	Size	ROHS	Packing			
N38192	A	R	BU			

A= Size A	R= ROHS Conform	BU= Bulk-Ware
B= Size B	N= NON ROHS Conform	

**Cord End Terminal for
Cable assembling**

Part No.: **N38192**

Customer:

DRW:	Jason	CHKD	Wilson	MATL:	Wilson	TOLERANCE	Mason	DATE	30.10.2010
APPD:	Schumi			FINISH	Jamy		Sheet No.		2 from 2