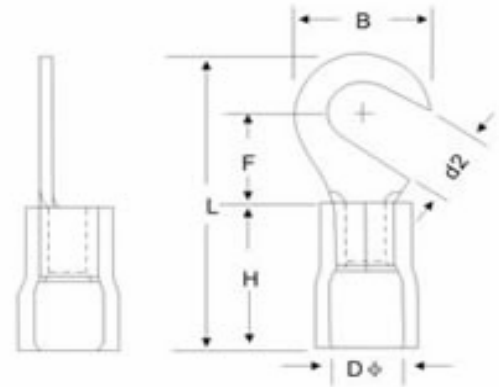




Technical Specification

Maximum Electrical Ratings:	75°C / 600V
Maximum Electrical Ratings:	22-16AWG/ 0,5-1,5mm ² 19A
	16-14AWG/ 1,5-2,5mm ² 27A
	14-12AWG/ 2,5-4,0mm ² 37A
	12-10AWG/4-6mm ² 48A
Terminal Body:	Copper
Insulation:	Nylon
Plating:	Tin
VIM--- Flared Nylon without copper sleeve	
PIPG-- Pre insulated funnel Nylon insulator with easy entry copper sleeve	

Technical Drawing



This Dimension are for 12~10AWG / 4~6mm²

Order Code	Tab (mm)	d2	B	L	F	H	DØ								Color
A0	#6	3,7	7,2	21,4	5,90	13,0	6,7								Yellow
A1	#8	4,3	9,5	25,5	8,25	13,0	6,7								
A2	#10	5,3	9,5	25,5	8,25	13,0	6,7								
A3	1/4	6,4	12,0	31,5	13,0	13,0	6,7								
A4															
A5															
A6															
A7															
A8															
A9															
B0															
B1															
B2															
B3															
B4															

Ordering Information

Serie	Order Code	ROHS	Packing			
N38110	A0	R	BU102			

look table	R= ROHS conform	BU102 1000PCs in one poly bag
	N= Non ROHS conform	

Hook end insulation terminal

Part No.:	N38110
Customer:	

DRW:	Jason	CHKD	Jules	MATL:	Wu	DATE	08.09.2009
APPD:	Join			FINISH	Shieh	Sheet	1 from 1