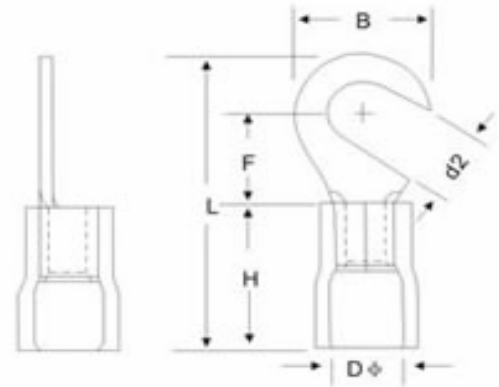




**Technical Specification**

Maximum Electrical Ratings:	75°C / 600V
Maximum Electrical Ratings:	22-16AWG/ 0,5-1,5mm <sup>2</sup> 19A
	16-14AWG/ 1,5-2,5mm <sup>2</sup> 27A
	14-12AWG/ 2,5-4,0mm <sup>2</sup> 37A
	12-10AWG/4-6mm <sup>2</sup> 48A
Terminal Body:	Copper
Insulation:	Nylon
Plating:	Tin
VIM--- Flared Nylon without copper sleeve	
PIPG-- Pre insulated funnel Nylon insulator with easy entry copper sleeve	

**Technical Drawing**



This Dimension are for 16~14AWG / 1,5~2,5mm<sup>2</sup>

Order Code	Tab (mm)	d2	B	L	F	H	DØ								Color
A0	#6	3,7	8,5	22,0	7,75	10,0	4,9								Blue
A1	#8	4,3	8,5	22,0	7,75	10,0	4,9								
A2	#10	5,3	9,5	22,0	7,25	10,0	4,9								
A3	1/4	6,4	12,0	27,0	11,0	10,0	4,9								
A4															
A5															
A6															
A7															
A8															
A9															
B0															
B1															
B2															
B3															
B4															

**Ordering Information**

Serie	Order Code	ROHS	Packing			
N38109	A0	R	BU102			

look table	R= ROHS conform	BU102 1000PCs in one poly bag
	N= Non ROHS conform	

<b>Hook end Insulated terminal</b>	
Part No.:	<b>N38109</b>
Customer:	

DRW:	Jason	CHKD	Jules	MATL:	Wu	DATE	08.09.2009
APPD:	Join			FINISH	Shieh	Sheet	1 from 1