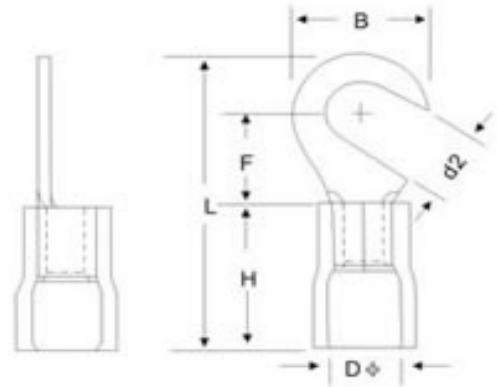




**Technical Specification**

Maximum Electrical Ratings:	75°C / 600V
Maximum Electrical Ratings:	22-16AWG/ 0,5-1,5mm <sup>2</sup> 19A
	16-14AWG/ 1,5-2,5mm <sup>2</sup> 27A
	14-12AWG/ 2,5-4,0mm <sup>2</sup> 37A
	12-10AWG/4-6mm <sup>2</sup> 48A
Terminal Body:	Copper
Insulation:	Nylon
Plating:	Tin
VIM--- Flared Nylon without copper sleeve	
PIPG-- Pre insulated funnel Nylon insulator with easy entry copper sleeve	

**Technical Drawing**



This Dimension are for 22~16AWG / 0,5/1,5mm<sup>2</sup>

Order Code	Tab (mm)	d2	B	L	F	H	DØ							Color
A0	#6	3,7	8,0	21,0	7,0	10,0	4,3							Red
A1	#8	4,3	8,0	21,0	7,0	10,0	4,3							
A2	#10	5,3	8,0	21,0	7,0	10,0	4,3							
A3	1/4	6,4	16,0	27,0	11,1	10,0	4,3							
A4														
A5														
A6														
A7														
A8														
A9														
B0														
B1														
B2														
B3														
B4														

**Ordering Information**

Serie	Order Code	ROHS	Packing			
<b>N38108</b>	<b>A0</b>	<b>R</b>	<b>BU102</b>			

look table	R= ROHS conform	<b>BU102</b> 1000PCs in one poly bag
	N= Non ROHS conform	

<b>Hook end insulation terminal</b>	
Part No.:	<b>N38108</b>
Customer:	

DRW:	Jason	CHKD	Jules	MATL:	Wu	DATE	08.09.2009
APPD:	Join			FINISH	Shieh	Sheet	1 from 1