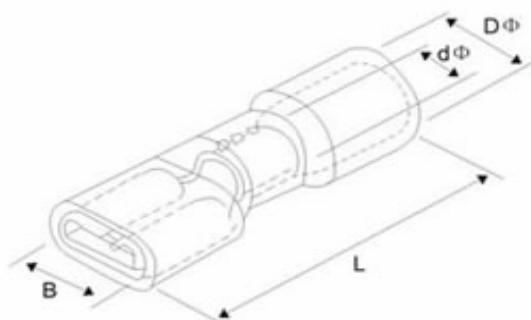




Technical Specification

Maximum Electrical Ratings:	75°C / 600V
Maximum Electrical Ratings:	22-16AWG/ 0,5-1,5mm ² 19A
	16-14AWG/ 1,5-2,5mm ² 27A
	14-12AWG/ 2,5-4,0mm ² 37A
	12-10AWG/4-6mm ² 48A
Terminal Body:	Copper
Insulation:	Nylon
Plating:	Tin
VIM--- Flared Nylon without copper sleeve	
PIPG-- Pre insulated funnel Nylon insulator with easy entry copper sleeve	

Technical Drawing



This Dimension are for 22~16AWG / 0,5/1,5mm²

Order Code	Tab (mm)	B	DØ	dØ	L											Color
A0	0,5x2,8	3,2	4,5	2,3	20,0											Blue
A1	0,8x2,8	3,2	4,5	2,3	20,0											
A2	0,5x4,75	5,6	4,5	2,3	22,0											
A3	0,8x4,75	5,6	4,5	2,3	22,0											
A4	0,8x6,35	6,6	4,5	2,3	24,0											
A5																
A6																
A7																
A8																
A9																
B0																
B1																
B2																
B3																
B4																

Ordering Information

Serie	Order Code	ROHS	Packing			
N38097	A0	R	BU102			

look table	R= ROHS conform	BU102 1000PCs in one poly bag
	N= Non ROHS conform	

Female joint fully insulated terminal

Part No.: **N38097**
Customer:

DRW:	Jason	CHKD	Jules	MATL:	Wu	DATE	08.09.2009
APPD:	Join			FINISH	Shieh	Sheet	1 from 1