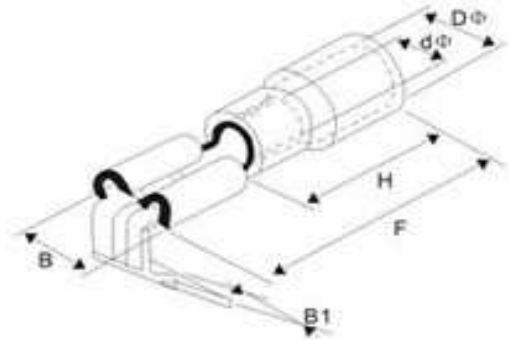




Technical Specification

Maximum Electrical Ratings:	75°C / 600V
Maximum Electrical Ratings:	22-16AWG/ 0,5-1,5mm ² 19A
	16-14AWG/ 1,5-2,5mm ² 27A
	14-12AWG/ 2,5-4,0mm ² 37A
	12-10AWG/4-6mm ² 48A
Terminal Body:	Copper
Insulation:	Nylon
Plating:	Tin
VIM--- Flared Nylon without copper sleeve	
PIPG-- Pre insulated funnel Nylon insulator with easy entry copper sleeve	

Technical Drawing



This Dimension are for 16~14AWG / 1,5~2,5mm²

Order Code	Tab (mm)	B	B1	H	DØ	dØ	L								Color
A0	0,8x6,35	7,4	6,35	10,0	4,3	2,3	21,5								Blue
A1															
A2															
A3															
A4															
A5															
A6															
A7															
A8															
A9															
B0															
B1															
B2															
B3															
B4															

Ordering Information

Serie	Order Code	ROHS	Packing			
N38091	A0	R	BU102			

look table	R= ROHS conform	BU102 1000PCs in one poly bag
	N= Non ROHS conform	

Shoulder shaped male and female pre insulated	
Part No.:	N38091
Customer:	

DRW:	Jason	CHKD	Jules	MATL:	Wu	DATE	08.09.2009
APPD:	Join			FINISH	Shieh	Sheet	1 from 1