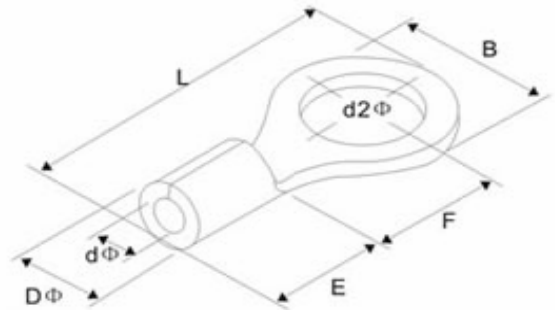




Technical Specification

Maximum Electrical Ratings:	75°C / 600V
Maximum Electrical Ratings:	22-16AWG/ 0,5-1,5mm ² 19A
	16-14AWG/ 1,5-2,5mm ² 27A
	14-12AWG/ 2,5-4,0mm ² 37A
	12-10AWG/4-6mm ² 48A
Terminal Body:	Copper
Insulation:	Nylon
Plating:	Tin
VIM--- Flared Nylon without copper sleeve	
PIPG-- Pre insulated funnel Nylon insulator with easy entry copper sleeve	

Technical Drawing



This Dimension are for 12~10AWG / 4,0~6,0mm²

Order Code	Stud Size	d2	B	L	F	E	DØ	dØ					Color
A0	#6	3,7	7,2	15,7	5,9	6,8	5,6	3,4					without Isolator
A1	#8	4,3	7,2	15,7	5,9								
A2	#8	4,3	9,5	19,8	8,3								
A3	#10	5,3	9,5	19,8	8,3								
A4	1/4	6,5	12,0	25,8	13,0								
A5	5/16	8,5	15,0	28,0	13,7								
A6	3/8	10,5	15,0	28,0	13,7								
A7	1/2	13,0	19,2	32,4	16,0								
A8													
A9													
B0													
B1													
B2													
B3													
B4													

Ordering Information

Serie	Order Code	ROHS	Packing			
N38039	A0	R	BU102			

look table	R= ROHS conform	BU102 1000PCs in one poly bag
	N= Non ROHS conform	

Round Terminal Vinyl Insulated	
Part No.:	N38039
Customer:	

DRW:	Jason	CHKD	Jules	MATL:	Wu	DATE	08.09.2009
APPD:	Join			FINISH	Shieh	Sheet	1 from 1