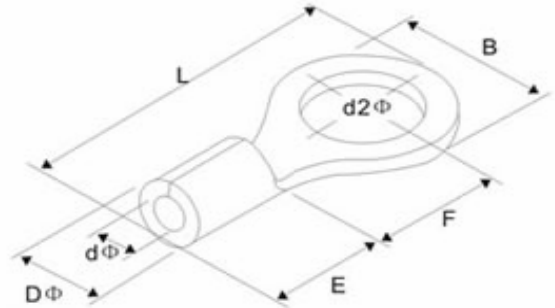




Technical Specification

Maximum Electrical Ratings:	75°C / 600V
Maximum Electrical Ratings:	22-16AWG/ 0,5-1,5mm ² 19A
	16-14AWG/ 1,5-2,5mm ² 27A
	14-12AWG/ 2,5-4,0mm ² 37A
	12-10AWG/4-6mm ² 48A
Terminal Body:	Copper
Insulation:	Nylon
Plating:	Tin
VIM--- Flared Nylon without copper sleeve	
PIPG-- Pre insulated funnel Nylon insulator with easy entry copper sleeve	

Technical Drawing



This Dimension are for 14~12AWG / 2,5~4,0mm²

Order Code	Stud Size	d2	B	L	F	E	DØ	dØ						Color
A0	#8	4,3	8,0	18,0	7,7	6,0	5,0	3,0						without Isolator
A1	#10	5,3	8,0	18,0	7,7									
A2	#10	5,3	12,0	21,4	7,7									
A3	1/4	6,5	12,0	21,4	7,7									
A4	5/16	8,5	15,0	27,0	13,5									
A5	3/8	10,5	15,0	27,0	13,50									
A6	1/2	10,5	19,2	32,4	16,00									
A7														
A8														
A9														
B0														
B1														
B2														
B3														
B4														

Ordering Information

Serie	Order Code	ROHS	Packing			
N38038	A0	R	BU102			

look table	R= ROHS conform	BU102 1000PCs in one poly bag
	N= Non ROHS conform	

Round Terminal Vinyl Insulated	
Part No.:	N38038
Customer:	

DRW:	Jason	CHKD	Jules	MATL:	Wu	DATE	08.09.2009
APPD:	Join			FINISH	Shieh	Sheet	1 from 1