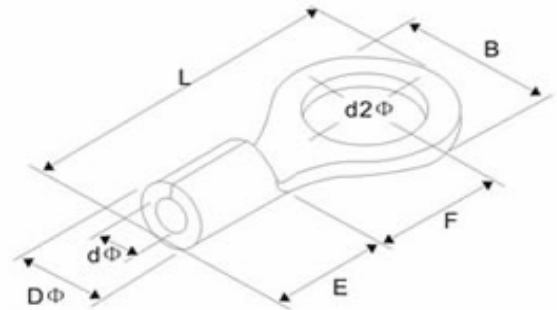




Technical Specification

Maximum Electrical Ratings:	75°C / 600V
Maximum Electrical Ratings:	22-16AWG/ 0,5-1,5mm ² 19A
	16-14AWG/ 1,5-2,5mm ² 27A
	14-12AWG/ 2,5-4,0mm ² 37A
	12-10AWG/4-6mm ² 48A
Terminal Body:	Copper
Insulation:	Nylon
Plating:	Tin
VIM--- Flared Nylon without copper sleeve	
PIPG-- Pre insulated funnel Nylon insulator with easy entry copper sleeve	

Technical Drawing



This Dimension are for 16~14AWG / 1,5~2,5mm²

Order Code	Stud Size	d2	B	L	F	E	DØ	dØ					Color
A0	#4	3,2	6,6	12,3	4,3	4,8	4,1	2,3					without Isolator
A1	#6	3,7	6,6	12,3	4,3								
A2	#6	3,7	6,6	16,0	7,0								
A3	#6	3,7	8,5	16,8	7,75								
A4	#8	4,3	6,6	16,0	6,3								
A5	#8	4,3	8,5	16,8	7,75								
A6	#10	5,3	8,5	16,8	7,75								
A7	#10	5,3	9,5	16,8	7,25								
A8	1/4	6,5	9,5	16,8	7,25								
A9	1/4	6,5	12,0	21,8	11,0								
B0	5/16	8,5	12,0	21,8	11,0								
B1	3/8	10,5	13,6	25,5	13,9								
B2	3/8	13,0	19,2	30,4	16,0								
B3	1/2	13,0	19,2	30,4	16,0								
B4													

Ordering Information

Serie	Order Code	ROHS	Packing			
N38037	A0	R	BU102			

look table	R= ROHS conform	BU102 1000PCs in one poly bag
	N= Non ROHS conform	

Round Terminal Vinyl Insulated	
Part No.:	N38037
Customer:	

DRW:	Jason	CHKD	Jules	MATL:	Wu	DATE	08.09.2009
APPD:	Join			FINISH	Shieh	Sheet	1 from 1