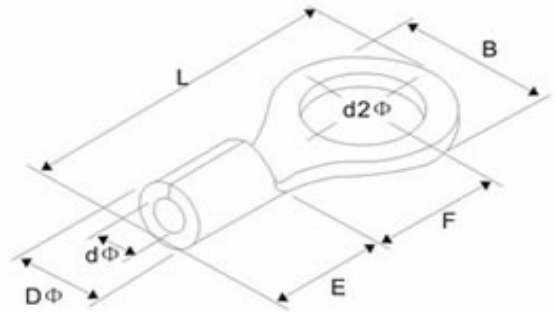




Technical Specification

Maximum Electrical Ratings:	75°C / 600V
Maximum Electrical Ratings:	22-16AWG/ 0,5-1,5mm ² 19A
	16-14AWG/ 1,5-2,5mm ² 27A
	14-12AWG/ 2,5-4,0mm ² 37A
	12-10AWG/4-6mm ² 48A
Terminal Body:	Copper
Insulation:	Nylon
Plating:	Tin
VIM--- Flared Nylon without copper sleeve	
PIPG-- Pre insulated funnel Nylon insulator with easy entry copper sleeve	

Technical Drawing



This Dimension are for 22~16AWG / 0,5/1,5mm²

Order Code	Stud Size	d2	B	L	F	E	DØ	dØ					Color
A0	#4	3,2	5,7	12,6	4,95	4,8	3,4	1,7					without Isolator
A1	#6	3,7	5,7	12,6	4,95								
A2	#6	3,7	6,6	14,4	6,3								
A3	#6	3,7	7,2	15,8	7,0								
A4	#8	4,3	6,6	14,4	6,3								
A5	#8	4,3	8,0	15,8	7,0								
A6	#10	5,3	8,0	15,8	7,0								
A7	#10	5,3	9,5	18,0	8,5								
A8	#10	5,3	11,6	21,8	11,1								
A9	1/4	6,5	9,5	18,0	8,5								
B0	1/4	6,5	11,6	21,8	11,1								
B1	5/16	8,5	11,6	21,8	11,1								
B2	3/8	10,5	13,6	25,5	13,9								
B3	3/8	10,5	19,2	30,4	16,0								
B4	1/2	13,0	19,2	30,4	16,0								

Ordering Information

Serie	Order Code	ROHS	Packing			
N38036	A0	R	BU102			

look table	R= ROHS conform	BU102 1000PCs in one poly bag
	N= Non ROHS conform	

Round Terminal Vinyl Insulated	
Part No.:	N38036
Customer:	

DRW:	Jason	CHKD	Jules	MATL:	Wu	DATE	08.09.2009
APPD:	Join			FINISH	Shieh	Sheet	1 from 1

Copyright by EDCON-COMPONENTS H.Schmitt