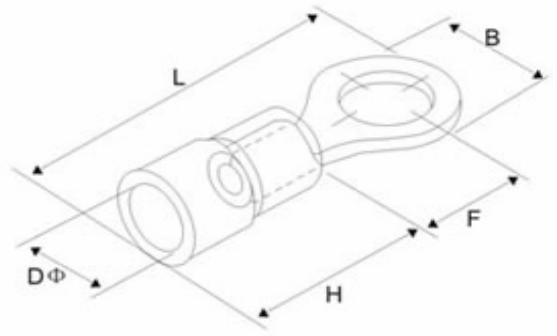




Technical Specification

| | |
|---|--------------------------------------|
| Maximum Electrical Ratings: | 75°C / 600V |
| Maximum Electrical Ratings: | 22-16AWG/ 0,5-1,5mm ² 19A |
| | 16-14AWG/ 1,5-2,5mm ² 27A |
| | 14-12AWG/ 2,5-4,0mm ² 37A |
| | 12-10AWG/4-6mm ² 48A |
| Terminal Body: | Copper |
| Insulation: | Nylon |
| Plating: | Tin |
| VIM--- Flared Nylon without copper sleeve | |
| PIPG-- Pre insulated funnel Nylon insulator with easy entry copper sleeve | |

Technical Drawing



This Dimension are for 12~10AWG / 4,0~6,0mm²

| Order Code | Stud Size | d2 | B | L | F | H | Dφ | | | | | | | Color |
|------------|-----------|------|------|------|------|------|-----|--|--|--|--|--|--|--------|
| A0 | #6 | 3,7 | 7,2 | 21,4 | 5,9 | 12,5 | 6,7 | | | | | | | Yellow |
| A1 | #8 | 4,3 | 7,2 | 21,4 | 5,9 | | | | | | | | | |
| A2 | #8 | 4,3 | 9,5 | 25,5 | 8,3 | | | | | | | | | |
| A3 | #10 | 5,3 | 9,5 | 25,5 | 8,3 | | | | | | | | | |
| A4 | 1/4 | 6,5 | 12,0 | 31,5 | 13,0 | | | | | | | | | |
| A5 | 5/16 | 8,5 | 15,0 | 33,7 | 13,7 | | | | | | | | | |
| A6 | 3/8 | 10,5 | 15,0 | 33,7 | 13,7 | | | | | | | | | |
| A7 | 1/2 | 13,0 | 19,2 | 38,1 | 16,0 | | | | | | | | | |
| A8 | | | | | | | | | | | | | | |
| A9 | | | | | | | | | | | | | | |
| B0 | | | | | | | | | | | | | | |
| B1 | | | | | | | | | | | | | | |
| B2 | | | | | | | | | | | | | | |
| B3 | | | | | | | | | | | | | | |
| B4 | | | | | | | | | | | | | | |

Ordering Information

| | | | | | | |
|---------------|------------|----------|--------------|--|--|--|
| Serie | Order Code | ROHS | Packing | | | |
| N38033 | A0 | R | BU102 | | | |

| | | |
|------------|---------------------|----------------------------------|
| look table | R= ROHS conform | BU102 1000PCs in one poly bag |
| | N= Non ROHS conform | |

| | | | | | | | |
|---------------------------------------|---------------|------|-------|--------|-------|-------|------------|
| Round Terminal Vinyl Insulated | | | | | | | |
| Part No.: | N38033 | | | | | | |
| Customer: | | | | | | | |
| DRW: | Jason | CHKD | Jules | MATL: | Wu | DATE | 08.09.2009 |
| APPD: | Join | | | FINISH | Shieh | Sheet | 1 from 1 |