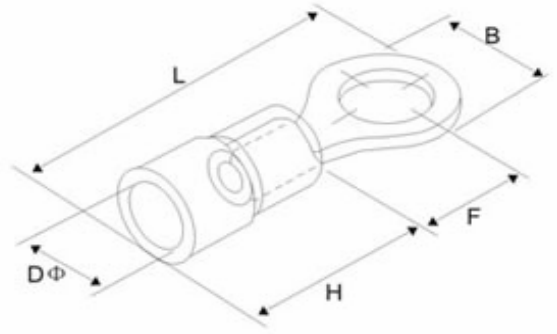




Technical Specification

Maximum Electrical Ratings:	75°C / 600V
Maximum Electrical Ratings:	22-16AWG/ 0,5-1,5mm ² 19A
	16-14AWG/ 1,5-2,5mm ² 27A
	14-12AWG/ 2,5-4,0mm ² 37A
	12-10AWG/4-6mm ² 48A
Terminal Body:	Copper
Insulation:	Nylon
Plating:	Tin
VIM--- Flared Nylon without copper sleeve	
PIPG-- Pre insulated funnel Nylon insulator with easy entry copper sleeve	

Technical Drawing



This Dimension are for 22~16AWG / 0,5/1,5mm²

Order Code	Stud Size	d2	B	L	F	H	DØ								Color
A0	#4	3,2	5,7	17,8	4,95	10,0	4,3								Red
A1	#6	3,7	5,7	17,8	4,95										
A2	#6	3,7	6,6	20,1	6,3										
A3	#6	3,7	7,2	21,5	7,0										
A4	#8	4,3	6,6	20,1	6,3										
A5	#8	4,3	8,0	21,5	7,0										
A6	#10	5,3	8,0	21,5	7,0										
A7	#10	5,3	9,5	23,0	8,0										
A8	#10	5,3	11,6	27,5	11,1										
A9	1/4	6,5	9,5	23,0	8,0										
B0	1/4	6,5	11,6	27,5	11,1										
B1	5/16	8,5	11,6	27,5	11,1										
B2	3/8	10,5	13,6	31,6	13,9										
B3	3/8	10,5	19,2	35,0	16,0										
B4	1/2	13,0	19,2	35,0	16,0										

Ordering Information

Serie	Order Code	ROHS	Packing			
N38024	A0	R	BU102			

look table	R= ROHS conform	BU102 1000PCs in one poly bag
	N= Non ROHS conform	

Round Terminal Vinyl Insulated	
Part No.:	N38024
Customer:	

DRW:	Jason	CHKD	Jules	MATL:	Wu	DATE	08.09.2009
APPD:	Join			FINISH	Shieh	Sheet	1 from 1

Copyright by EDCON-COMPONENTS H.Schmitt