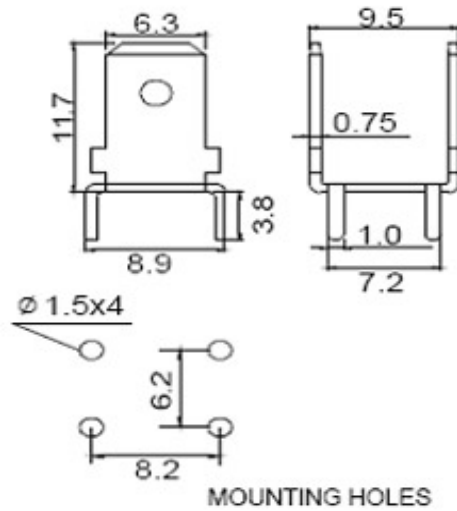




Technical Specification

Mounting : 6,2x8,2mm Spacing
 Material: Spring brass
 Rated Voltage: 250V
 Rated Current: Max. 6,3A
 Unit Weight: 1,30gr.
 Packing: Bulk 500PCS
 Thickness: 0,75mm Ni Plated

Technical Drawing



Ordering Information

Serie	ROHS	Packing				
N40004	R	B05				

R= ROHS Conform	B05 = 500PCS in Poly Bag
N= NON ROHS Conform	

TAB Terminal	
Part No.:	N40004
Customer:	

DRW:	Jason	CHKD	Jules	MATL:	Wu	DATE	06.06.2007
APPD:	Join			FINISH	Shieh	Sheet	1 from 1