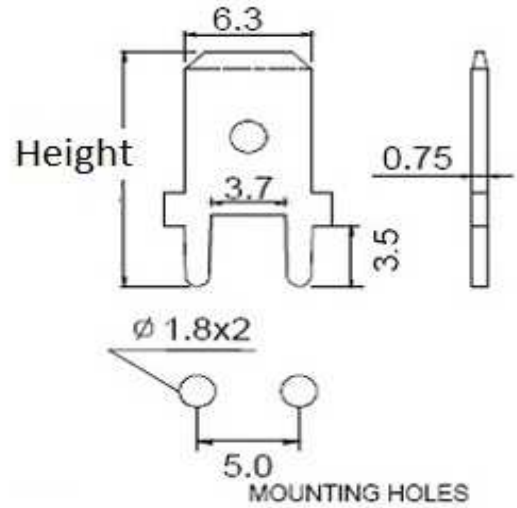


**Technical Specification**

Mounting : PC Board 5,0mm Spacing  
 Material: Phosphor Bronze  
 Rated Voltage: 250V  
 Rated Current: Max. 6,3A  
 Unit Weight: 0,45gr.  
 Packing: Bulk 2000PCS  
 Thickness: 0,75mm Ni Plated

**Technical Drawing**



**Ordering Information**

Serie	Height	ROHS	Packing			
<b>N40003</b>	<b>A</b>	<b>R</b>	<b>B2</b>			

<b>A=</b> 13,5mm	<b>R=</b> ROHS Conform	<b>B2 =</b> 2000PCS in Poly Bag
<b>B=</b> 18,5mm	<b>N=</b> NON ROHS Conform	
<b>C=</b> 14,0mm		

<b>TAB Terminal</b>	
Part No.:	<b>N40003</b>
Customer:	

DRW:	Jason	CHKD	Jules	MATL:	Wu	DATE	04.10.2016
APPD:	Join			FINISH	Shieh	Sheet	1 from 1