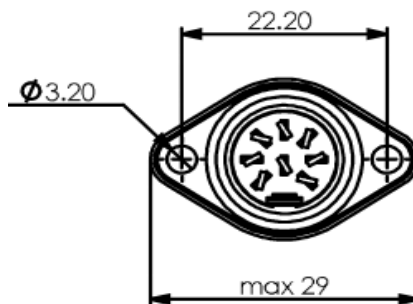
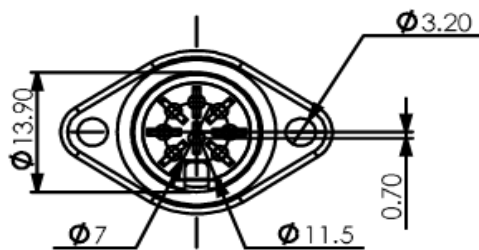
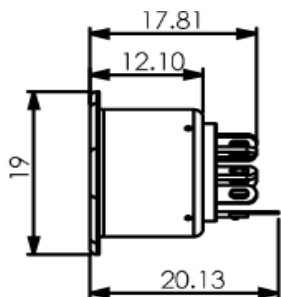




Technical Specification

Shell Cover:	Steel Nickel Plated
GND Cont:	Phosphor Bronze, NICKEL plated
Housing:	ABS
Terminals:	Copper, Silver plated
Rating:	100VAC 1A max.
Contact Resistance:	Pin 30m Ohm max. Shell 50m Ohm max.
Insulation Resistance:	100M Ohm at 500VDC min.
Voltage Withstanding:	250VAC for 1 minute



Pos.



Ordering Information

Serie	Pos.	ROHS	Packing			
T20E032	5	R	B			

No. of Position	N= non ROHS	B= Bulk-Ware	
Type A	R= ROHS	IN= individuell	

DIN CHASSIS MOUNT METALL
 FLANGE

Part No.: **T20E032**

Customer:

DRW:	Jason	CHKD	Jules	MATL:	Wu	DATE	12.09.2023
APPD:	Join			FINISH	Shieh	Sheet	1 from 1