

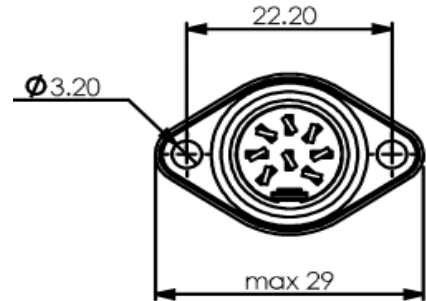
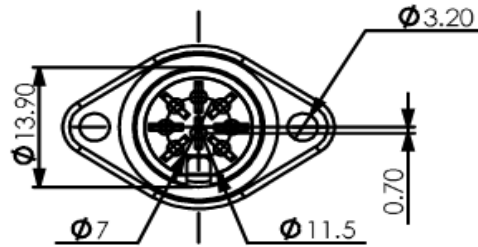
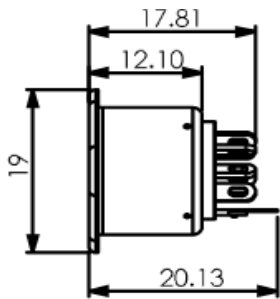


**Technical Specification**

Shell Cover: Steel Nickel Plated  
 GND Cont: Phosphor Bronze, NICKEL plated

Housing: ABS  
 Terminals: Copper, Silver plated

Rating: 100VAC 1A max.  
 Contact Resistance: Pin 30m Ohm max.  
 Shell 50m Ohm max.  
 Insulation Resistance: 100M Ohm at 500VDC min.  
 Voltage Withstanding: 250VAC for 1 minute



Pos.



**Ordering Information**

Serie	Pos.	ROHS	Packing			
<b>T20E031</b>	<b>4</b>	<b>R</b>	<b>B</b>			

No. of Position	<b>N</b> = non ROHS	<b>B</b> = Bulk-Ware
	<b>R</b> = ROHS	<b>IN</b> = individuell

DIN CHASSIS MOUNT METALL FLANGE	
Part No.:	<b>T20E031</b>
Customer:	

DRW:	Jason	CHKD	Jules	MATL:	Wu	DATE	12.09.2023
APPD:	Join			FINISH	Shieh	Sheet	1 from 1