

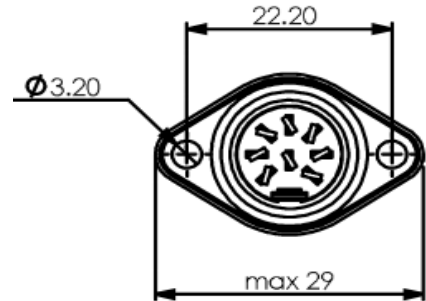
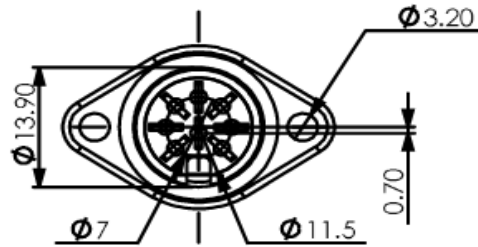
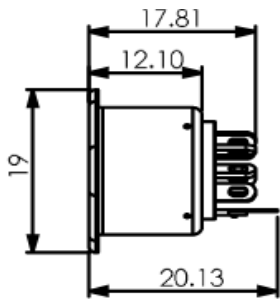


**Technical Specification**

Shell Cover: Steel Nickel Plated  
 GND Cont: Phosphor Bronze, NICKEL plated

Housing: ABS  
 Terminals: Copper, Silver plated

Rating: 100VAC 1A max.  
 Contact Resistance: Pin 30m Ohm max.  
 Shell 50m Ohm max.  
 Insulation Resistance: 100M Ohm at 500VDC min.  
 Voltage Withstanding: 250VAC for 1 minute



Pos.



**Ordering Information**

Serie	Pos.	ROHS	Packing			
T20E013	6	R	B			

No. of Position	N= non ROHS	B= Bulk-Ware	
	R= ROHS	IN= individuell	

DIN CHASSIS MOUNT METALL FLANGE	
Part No.:	<b>T20E013</b>
Customer:	

DRW:	Jason	CHKD	Jules	MATL:	Wu	DATE	12.09.2023
APPD:	Join			FINISH	Shieh	Sheet	1 from 1