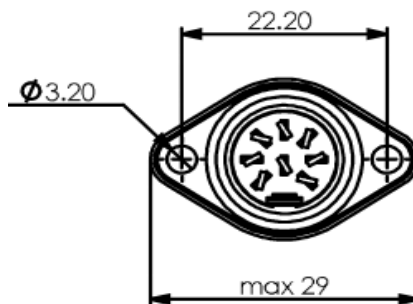
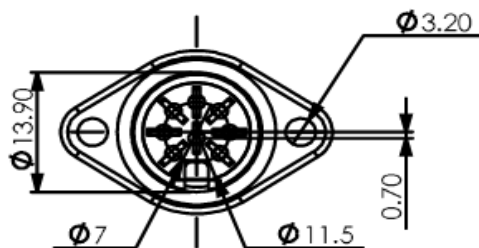
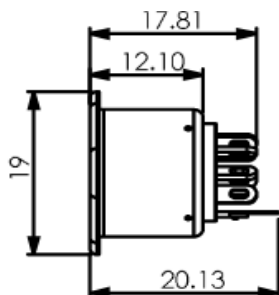




Technical Specification

| | |
|------------------------|--|
| Shell Cover: | Steel Nickel Plated |
| GND Cont: | Phosphor Bronze, NICKEL plated |
| Housing: | ABS |
| Terminals: | Copper, Silver plated |
| Rating: | 100VAC 1A max. |
| Contact Resistance: | Pin 30m Ohm max. Shell 50m Ohm max. |
| Insulation Resistance: | 100M Ohm at 500VDC min. |
| Voltage Withstanding: | 250VAC for 1 minute |



Pos.



Ordering Information

| Serie | Pos. | ROHS | Packing | | | |
|---------|------|------|---------|--|--|--|
| T20E011 | 5 | R | B | | | |

| | | | |
|-----------------|-------------|-----------------|--|
| No. of Position | N= non ROHS | B= Bulk-Ware | |
| Type A | R= ROHS | IN= individuell | |
| | | | |

DIN CHASSIS MOUNT METALL
 FLANGE

Part No.: **T20E011**

Customer:

| | | | | | | | |
|-------|-------|------|-------|--------|-------|-------|------------|
| DRW: | Jason | CHKD | Jules | MATL: | Wu | DATE | 12.09.2023 |
| APPD: | Join | | | FINISH | Shieh | Sheet | 1 from 1 |