

### Technical Specification

Shield Cover:  
GND Cont:  
Screw Nut:  
Housing:  
Terminals:

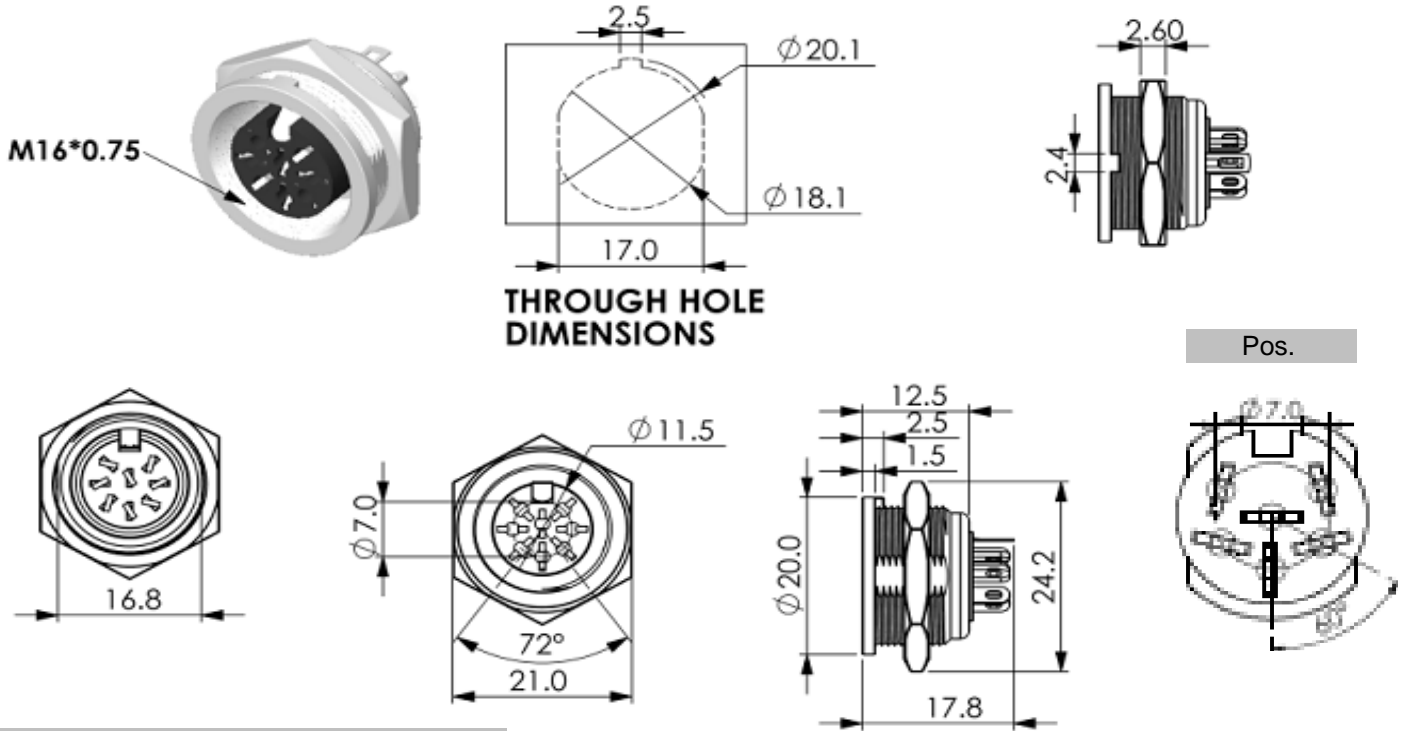
Zn Alloy Nickel plated  
COPER NICKEL plated  
Brass Nickel plated  
ABS  
Brass Silver plated

Rating:  
Contact Resistance:

100VAC 1A max.  
Pin 30m Ohm max.

Insulation Resistance:  
Voltage Withstanding:

Shell 50m Ohm max.  
100M Ohm at 500VDC min.  
250VAC for 1 minute



### Ordering Information

Serie	Pos.	ROHS	Packing			
T20E005	6	R	B			

	N= non ROHS	B= Bulk-Ware	
	R= ROHS	IN= individuell	

DIN CHASSIS MOUNT METALL COVER	
Part No.:	<b>T20E005</b>
Customer:	

DRW:	Jason	CHKD	Jules	MATL:	Wu	DATE	01.06.2007
APPD:	Join			FINISH	Shieh	Sheet	1 from 1