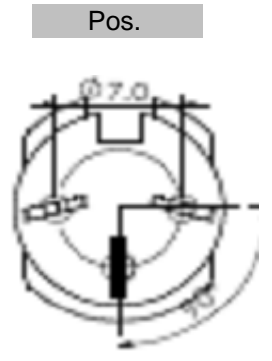
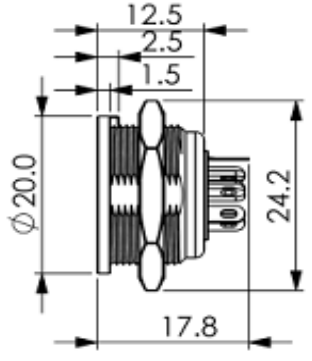
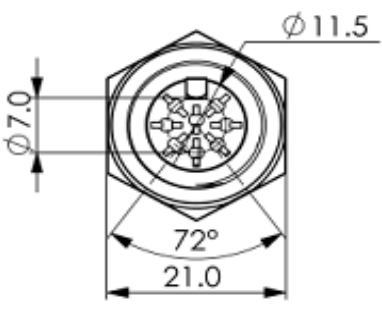
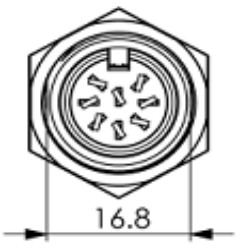
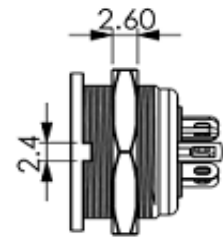
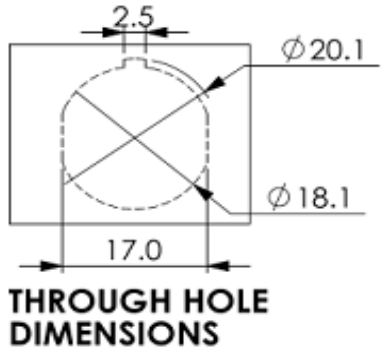
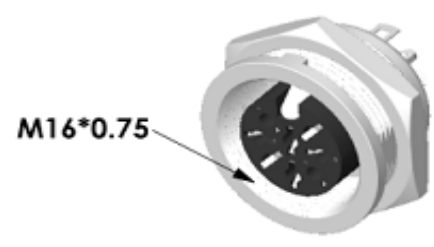




Technical Specification

Shield Cover: Zn Alloy Nickel plated
 GND Cont: COPER NICKEL plated
 Scvrew Nut: Brass Nickel plated
 Housing: ABS
 Terminals: Brass Silver plated

Rating: 100VAC 1A max.
 Contact Resistance: Pin 30m Ohm max.
 Shell 50m Ohm max.
 Insulation Resistance: 100M Ohm at 500VDC min.
 Voltage Withstanding: 250VAC for 1 minute



Ordering Information

Serie	Pos.	ROHS	Packing			
T20E001	3	R	B			

	N= non ROHS	B= Bulk-Ware	
	R= ROHS	IN= individuell	

DIN CHASSIS MOUNT METALL COVER	
Part No.:	T20E001
Customer:	

DRW:	Jason	CHKD	Jules	MATL:	Wu	DATE	01.06.2007
APPD:	Join			FINISH	Shieh	Sheet	1 from 1