



Technical Description of Varistor

„N“ Series Low, Medium and High Low Voltage Varistor

Compared with the GB product in the same specification, our „N“ series zinc oxide varistor, which is produced with new formula and technique, is improved in terms of maximum peak current and maximum energy, so as to be more reliable.

Features

Maximum Peak current: Superior to GB standard by 2.4-3.9 times.

Max. Energy: Superior to GB standard by 1.5-2 times.

Varistor voltage 18-68V (+- 10%)

Low clamping voltage for better surge absorption

Excellent response, Absorbing high frequency surge puls

Symmetry of V-I applicable to indirect-circuit.

Varistor voltage: 82-1800V (+-10%), wide products range for surge protection on AC 100V to AC 480V nominal system.

Recommended Applications

Transistor, diode, IC, thyristor or triac semiconductor protection.

Surge protection in consumer electronics

Surge protection in communication, measuring or controller instrument.

Relay or electromagnetic valve surge absorption

Precautions

The varistor shall not be operated beyond the specified „Ratings“ and „Environmental Conditions“ in the Catalog or the Specifications to prevent them from deterioration, breakdown, flaming or glowing. Following „Precautions for Safety“ and „Application Notes“ shall be taken in your major consideration.

Precautions for Safety

The temperature of the working environment of the varistor must fall in the range required by technical

The varistor shall not be operated exceeding the specified „Maximum Allowable Voltage“ in the Catalog or the Specification.

In case of application to repeated surge/overvoltages, the varistor shall not be subjected to surge currents and energy levels above the specified maximum ratings in „Pulse Lifetime Rating“ in the Catalog or the Specifications.

When surge/overvoltages are intermittently applied to the varistor with short durations, the devices shall not be operated beyond the specified „Rated Power“ in the Catalog or the Specification.

The varistor shall not be operated beyond the „Maximum Peak Current Ratings“ in the Catalog.

It is recommended that the varistor shall be located 3mm away from other heatgenerating or combustible components.

Warning

When the varistor are applied between a live part and a metallic chassis of equipment, following safety countermeasures shall be taken to protect human from electric shock.

The metallic chassis shall be earthed to the ground.

A protective device against electric leakage must be installed in the equipment, or alternatively, a thermal type fuse should be attached closely to the varistor and seriesconnected within its circuit.

The live part shall be equipped with a protective cover for preventing electric shock.

Applicative Notes

Protective Devices for varistors

Precaution measures are to be taken against the accident damage.

In case of „Across the Line Use“, the varistor shall be protected by connecting a ground fault circuit interrupter or fusing in series to the devices (see Figure 1)

In case of „Line to Ground Use“, the short-circuit of the varistor may not blow the current type fuse due to the grounding resistance (Between Line and Ground).

Which may cause flaming or burnout of the devices in the worst case. Following safety countermeasures (A or B) are recommended.

Connecting a „leakage current circuit breaker“ in series to the varistor to be protected.

Use current type fuses and a thermal type fuse which are thermally coupled with the varistor each other (See Figure 1)

Selection of Varistor Voltage Rating

General Precautions

In selection of Varistor Voltage Rating for line protection, following general precautions shall be taken in your consideration.

A Maximum operating voltage shall be lower than the specified „Maximum Allowable voltage“ of the varistor applied.

Radial Varistor Size 7mm

Part No.: **W11002-471x**

Customer:

| | | | | | | | |
|-------|-------|------|-------|--------|-------|-------|------------|
| DRW: | Jason | CHKD | Jules | MATL: | Wu | DATE | 06.06.2008 |
| APPD: | Join | | | FINISH | Shieh | Sheet | 1 from 8 |



Technical Description of Varistor

In selection of the varistor reasonable margin is required against fluctuation of the primary line (or circuit) voltage. Special consideration must be given to load unbalance of separately wired loads, short circuit between the live line and the neutral line or LC resonance at switching for a capacitive or inductive load.

Across-the-Line Use (Line to Line Surge Protection)
Select the varistor recommended in Table 1

Notes:

For some electric equipments working under the phase voltage, the endurance of the short-time line voltage shall be taken into consideration during the design, and for such case, please select the varistor with “*”.

Line to Ground Use (Line to Ground Surge Protection)
select the varistor recommended in Table 1.

Selection of Fuse Ratings

The recommended fuse locations are shown in Figure 1. For varistor protection, it is recommended to select suitable fuse in Table 2.

Environmental Conditions

The varistor shall not be exposed outdoors, because of being designed for indoor use.

The varistor shall not be operated beyond the Specified Operating Temperature Range and shall not be exposed to direct sunlight and heating part of equipment.

The varistor shall not be operated under severe conditions of high temperatures and high humidities such as places exposed to rain, wind and vapour.

The varistor shall be free from dust, salty wind and atmospheres polluted by corrosive gas.

Precautions for Assemblies and Handlings

Organic solvents such as thinner and acetone etc, shall not be applied to varistor for preventing deterioration of external coating or molding resin.

Abnormal mechanical stresses beyond the specified values forces, shall be kept minimum to prevent electrical failures of the devices.

Long Term Storage

The varistor shall not be stored under severe conditions of high temperatures and high humidities. Store them indoors under 40°C max and 75% RH max. Use them within one year, if stored beyond the limit, check the solderability before use.

The varistor shall not be stored under corrosive atmospheres such as hydrogen sulphide, sulphurous acid, chlorine and ammonia.

The varistor shall not be exposed to direct sunlight and shall not be stored under dew formation.

Parallel Capacitance of the Varistors

The Parallel Capacitance of the Varistor is listed in the specification Table, for the designer Reference in high frequency circuit.

Table 1

| Line-Line Surge Protection | | Line Ground Surge Protection | |
|----------------------------|--------------------|------------------------------|--------------------|
| Nominal Line Voltage | Series of Varistor | Nominal Line Voltage | Series of Varistor |
| AC100V | W1100x 271 | AC100V | W1100x 821K |
| AC120V | W1100x 331 | AC120V | W1100x 821K |
| AC220V | W1100x 471 | AC220V | W1100x 182K |
| | W1100x 511 | | |
| | W1100x 561 | | |
| | W1100x 681 | | |
| AC380V | W1100x 821 | AC380V | W1100x 182K |
| | W1100x 911 | | |

Table 2

| Varistor Size | 5mm | 7mm | 10mm | 14mm | 20mm |
|------------------------|-------|------|------|------|-------|
| Recommend Fuse Ratings | 1-2 A | 2-4A | 3-5A | 4-8A | 6-10A |

Radial Varistor Size 7mm

Part No.: **W11002-471x**

Customer:

| | | | | | | | |
|-------|-------|------|-------|--------|-------|-------|------------|
| DRW: | Jason | CHKD | Jules | MATL: | Wu | DATE | 06.06.2008 |
| APPD: | Join | | | FINISH | Shieh | Sheet | 2 from 8 |

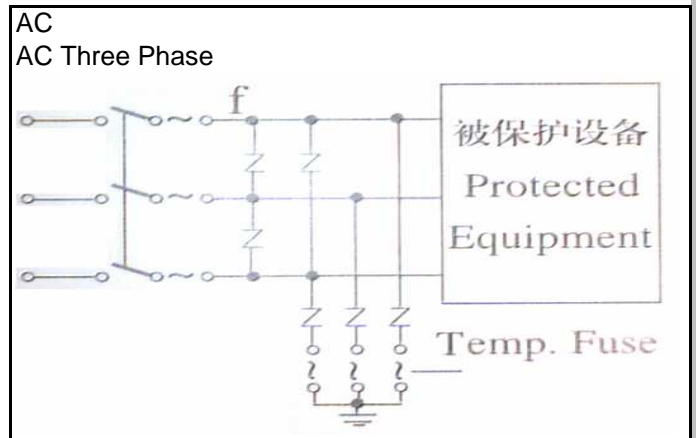
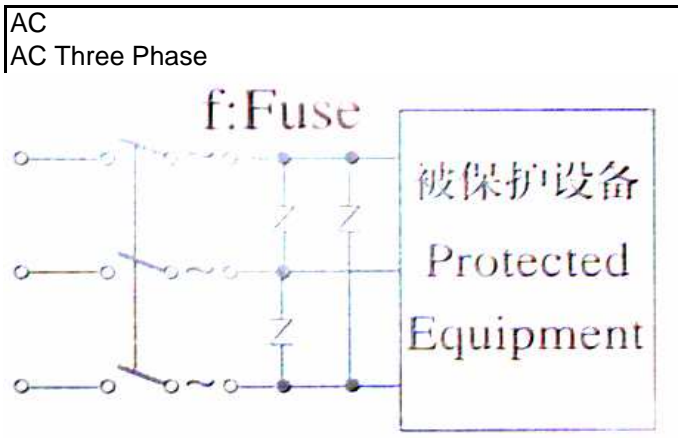
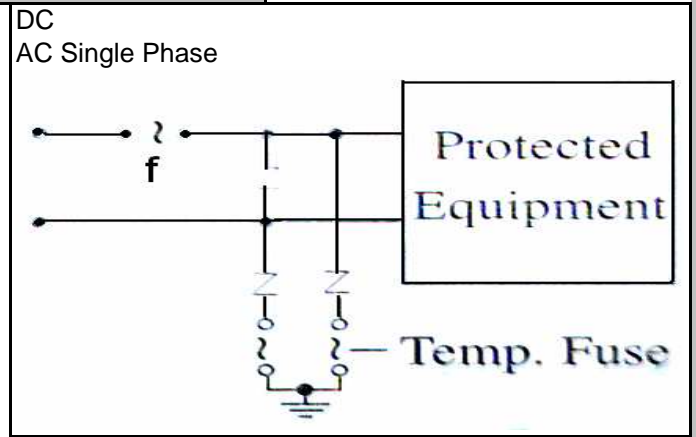
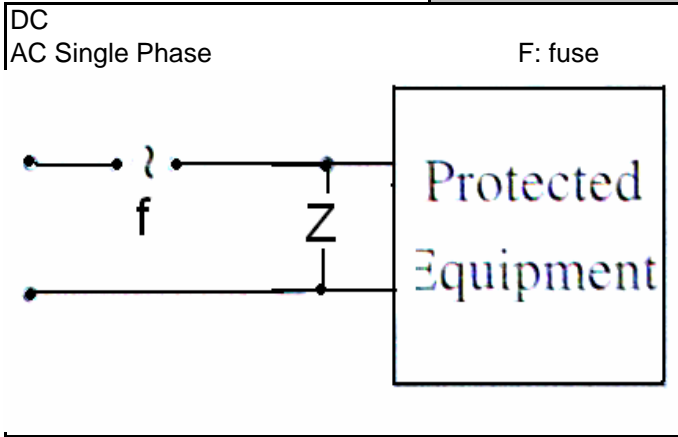


Technical Discription of Varistor

Line-Line Surge Protection

Line-Ground Surge Protection

Figure 1



Technical Data

In the following experiments, all the characteristics, are experimented and obtained in compliance with the method and termsd of GB/T 10194-GB/T 10195-1997 idt IEC 1052-2: 1991 QC 420100 specified indoor temperature: +25°C +/- 5°C, comparative humidity: 45-85%, Atmospheric pressure: 86-106KPa.

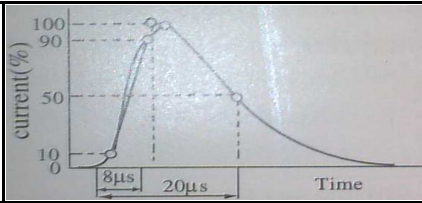
| Characteristics | Test Methods | Specifications |
|---------------------------|--|-----------------------------|
| Varistor Voltage | The voltage between two leads of the varistor which is measured under the sprcified current, 7mm series specified current: 0,1mA, / 9 -23mm series specified current : 1mA | To meet the specified value |
| Maximum Allowable Voltage | The voltage between two leads of the varistor which is measured under the sprcified current, 7mm series specified current: 0,1mA, / 9 -23mm series specified current : 1mA | |

| | |
|---------------------------------|--------------------|
| Radial Varistor Size 7mm | |
| Part No.: | W11002-471x |
| Customer: | |

| | | | | | | | |
|-------|-------|------|-------|--------|-------|-------|------------|
| DRW: | Jason | CHKD | Jules | MATL: | Wu | DATE | 06.06.2008 |
| APPD: | Join | | | FINISH | Shieh | Sheet | 3 from 8 |



Technical Discription of Varistor

| | | | | |
|---|---|---|--|------|
| Leackage Current | The current value passing the varistor at the maximum allowable DC voltage at 25°C | | $V_c \leq 68V$ $I \leq 40\mu A$ | |
| Clamping Voltage | The maximum Voltage between two terminals with the specified standard impulse current (8x20μs) illustrated below applied. |  | To meet the specified value | |
| Rated Power | The maximum power that can be applied within the specified ambient temperature. | | | |
| Maximum Energy | Maximum energy from one or a burst of pulse. It is the value within the varistor voltage change of +/- 10% when one impulse of 10x1000μs or 2ms is applied. | | To meet the specified value (better than GB/T 10194-GB/T10195-1997 and DJ/T10348-10349-93) | |
| Maximum Peak current | 1 time | The maximum current within the varistor voltage change of +/-10% when a single standard impulse current of 8 x 20μs is applied. | To meet the special value (better than GB/T10194-GB/T10195- 1997 and SJ/T10348-10349-93) | |
| | 2 times | The maximum current within the varistor voltage change of +/-10% when a single standard impulse current of 8 x 20μs is applied two times with an interval of 5 minutes. | | |
| Temperature Coefficient of varistor voltage | $V_c (+85^\circ C) - V_c(+25^\circ C)$ | | 0 ~ -0,05%/°C | |
| | ----- x1/60x100% | | | |
| | $V_c (+25^\circ C)$ | | | |
| Capacitance | Testing Condition: 1KHz +/-10%, 1Vrms.(1Mhz +/- 10% below 100pf | | To meet the specified value | |
| Insulation Strength (Body Insulation) | The specified voltage shall be applied between both terminals of the specimen connected together and metal foil closely wrapped round ist body for 1 minute. | | No breackdown | |
| | Varistor Voltage | Testing Voltage (AC) | | |
| | $V_C \leq 330V$ | 1000Vrms | | |
| $V_C \geq 330V$ | 2000Vrms | | | |
| Impulse Life | The change of V_c shall be measured after the impulse current listed in "Pulse Lifetime Ratings" with the interval of 2min when 10~100 impulses are applied or the 10 secound interval when 10000-1000000 impulses are applied. | | $\Delta V_c/V_c < +/-10\%$ (better than GB/T10194-GB/T10195-1997 and SJ/T10348-10349-93) | |
| Termnial Pull strength | After graually applying the load specified below and keeping the load fixed for 10 seconds, the change shall be measured and meet the requirement with no outstanding damage. | | No Outstanding Damage | |
| | Terminal | Diameter | | Fore |
| | Ø 0,6mm | Ø 0,8mm | | 5N |
| | Ø 1,0mm | | | 10N |

Radial Varistor Size 7mm

Part No.: **W11002-471x**

Customer:

| | | | | | | | |
|-------|-------|------|-------|--------|-------|-------|------------|
| DRW: | Jason | CHKD | Jules | MATL: | Wu | DATE | 06.06.2008 |
| APPD: | Join | | | FINISH | Shieh | Sheet | 4 from 8 |



Technical Description of Varistor

| | | | | | | | |
|-------------------------------------|--|------------------|------------|-------|------------------|---|------------|
| Terminal Bending Strength | The unit shall be secured with ist terminal kept vertical and the weight specified below be applied in the axial direction. The terminal shall gradually be bent by 90° in one direction. Then 90° in the opp side direction, and again back to the original position. The change shall be measured and meet the requirement with no outstanding damage. | | | | | No Outstanding Damage | |
| | Terminal | | Diameter | | Fore | | |
| | Ø 0,6mm | | Ø 0,8mm | | 5N | | |
| | Ø 1,0mm | | | | 10N | | |
| Vibration | Subjected to simple harmonic motion of 0,75mm amplitude 1,5nm maximum total excursion between limits of 10-55Hz. Frequency scan shall be traversed in one minute. This motion shall then be applied for period of two hours in each of three mutually perpendicular directions.. The change shall be measured and meet the requirement with no outstanding damage. | | | | | No Outstanding damage | |
| Solderability | After dipping the terminal to a depth of approximately 2mm from the body in a soldering bath of 235 +/-5°C for 2 +/- 0,5 sec. The termination shall be uniformly tinned. | | | | | Approximate 95% of the terminals shall be covered with new solder uniformly | |
| Resistance to Soldering Heat | The terminal shall be dipped into a soldering bath with temperature of 260° +/- 5°C to a point of 2-2,5mm from the body for 10 +/- 1sec. Size 7mm shall be 5 +/- 1sec.). And then stored at room temperature and humidity for 1-2 hours. The change shall be measured and meet the requirement with no outstanding damage. | | | | | Δ Vc/Vc < +/-5% NO Outstanding Damage | |
| High Temperature Storage / Dry Heat | The specimen shall be subjected to 125 +/-2°C for 10 00hours in a drying oven without load and then stored at room temperature and humidity for 1.2 hours. The change of Vc shall be measured and meet the requirement with no outstanding damage. | | | | | Δ Vc/Vc < +/-5% | |
| Humidity | The specimen shall be subjected to 40°C, 90 to 95% R.H. for 1000 hours without load and then stored at room temperature for 1-2 hours. The change of Vc shall be measured and meet the requirement with no outstanding damage. | | | | | Δ Vc/Vc < +/-5% | |
| Temperatur Cycle | Tempeprature cycle operation of the following table shall be repared 5 times continuously. And the nth specimen shall be left at room ambient for 1-2 hours. The change of Vc shall be measured and meet the requirement with no outstanding damage. | | | | | Δ Vc/Vc < +/-5% No Outstanding Damage | |
| | Steps | Temperature (°C) | Time (min) | Steps | Temperature (°C) | | Time (min) |
| | 1 | | 30 +/- 3 | 3 | +125 +/-2 | | 30 +/-3 |
| | 2 | Room temperature | 15 +/- 3 | 4 | Room temperature | | 15 +/-3 |
| High Temperature Load/Dry Heat Load | After being continuously applied the maximum allowable voltage at 85 +/-2°C for 1000hours, the specimen shall be stored at room temperature and humidity for 1-2 hours. The change shall be measured and mmet the requirement with no outstanding damage. | | | | | Δ Vc/Vc < +/-10% | |

Radial Varistor Size 7mm

Part No.: **W11002-471x**

Customer:

| | | | | | | | |
|-------|-------|------|-------|--------|-------|-------|------------|
| DRW: | Jason | CHKD | Jules | MATL: | Wu | DATE | 06.06.2008 |
| APPD: | Join | | | FINISH | Shieh | Sheet | 5 from 8 |



Technical Discription of Varistor

| | | |
|--------------------------------|--|----------------------------|
| Damp Heat Load / Humidity Load | After being continuously applied the maximum allowable voltage at 40 +/-2°C, 90-95% R.H. for 1000hours, the specimen shall be stored at room temperature and humidity for 1-2 hours. The change of Vc shall be measured and meet the requirement with no outstanding damage. | $\Delta V_c/V_c < +/-10\%$ |
| Low Temperature Storage/Cold | Specimen shall be subjected to an ambient of -40 +/-2°C for 1000hours. And after the specimen shall be left at room ambient for 1-2 hours. The change of Vc shall be measured and meet the requirement with no outstanding damage. | $\Delta V_c/V_c < +/-5\%$ |

Components Specification

Construction / Surface . The product surface should not be damaged or grinded.. The marking should be legible.



| all dimensions in mm | | | | | | |
|----------------------|-------|-------|------------|--------|------|-----|
| Range | Dmax. | Wmax. | A | L1max. | L2 | d |
| 7mm 180K ~ 680K | 9,0 | 5,2 | 5.0 +/-1.0 | 12,2 | 20,0 | 0,6 |
| 7mm 820K ~ 511K | 9,0 | 6,2 | 5.0 +/-1.0 | 12,2 | 20,0 | 0,6 |

Marking

Edcon Components product "NAME" , type code, and nominal voltage. and Safety Certificate

This part No., has been approved by CQC, the file No. is CQC 02001002448, by UL the File No. is E203745 and by VDE, the file No. 40008571

| No. | Parameter | Specifications | Test conditions |
|-----|---|---|--|
| 2,1 | Maximum allowable voltage | AC: 300Vrms DC: 385V | |
| 2,2 | Average power dissipation | ≥ 0,25W | |
| 2,3 | Varistor voltage | 470V (423~517) +/-10% | Test current: 1mA DC |
| 2,4 | Clamping voltage | ≤ 775V | Test waveform: 8/20μs Test current: 10A |
| 2,5 | Maximum surge current | ≥ 1750A 1 time ≥ 1250A 2 times | Test waveform :8/20μs Interval between two surges: 5min. |
| 2,6 | Energy absorption | ≥ 42 J ≥ 30 J | Test waveform : 10/1000μs Test waveform : 2ms |
| 2,7 | Temperature coefficient of varistor voltage | . +0,05% ~ 0,05% /°C | Temperature range: +25°C ~ +85°C |
| 2,8 | Capacitance | ≤ 100pf | Test frequency: 1KHz |

Radial Varistor Size 7mm

Part No.: **W11002-471x**

Customer:

| | | | | | | | |
|-------|-------|------|-------|--------|-------|-------|------------|
| DRW: | Jason | CHKD | Jules | MATL: | Wu | DATE | 06.06.2008 |
| APPD: | Join | | | FINISH | Shieh | Sheet | 6 from 8 |

Copyright by EDCON-COMPONENTS H.Schmitt 20.6.2008



Components Specification

| No. | Parameter | Specifications | Test conditions |
|------|---|----------------|---|
| 2,9 | Dissipation factor tangent value | ≤ 0,1 | Test frequency: 1KHz |
| 2,10 | Withstanding voltage (Body insulation) | No breakdown | Test voltage: 2500Vrms Test time: 1min. |

Mechanical Characteristics

| No. | Parameter | Specifications | Parameter | Terminal diameter | Force | Operating conditions |
|-----|--------------------------------------|--|---|-------------------|-------|----------------------|
| 3,1 | Robustness of termination (Tensile) | No remarkable mechanical damage | Tensile | ∅ 0,8 | 9,8N | 10seconds |
| 3,2 | Robustness of termination (Bending) | No remarkable mechanical damage | Bending | ∅ 0,8 | 4,9N | 3 times |
| 3,3 | Vibration | No remarkable mechanical damage | repeatedly applying a single harmonic vibration (amplitude: 0,75mm) with 1 minute vibration frequency cycles (10Hz to 55Hz, to 10Hz) to each of three perpendicular for 2 hours | | | |
| 3,4 | Solderability | Approximately 95% of the terminals should be covered with new solder uniformly | Dipping the terminals to a depth of approximately 3mm from the body in a soldering bath of 235 +/-5°C for 2 +/- 0,5sec. | | | |
| 3,5 | Resistance to soldering heat | | Dipping the terminals to a depth of approximately 2mm from the body in a soldering bath of 260 +/-5°C for 10 +/- 1sec. | | | |

Environmental characteristics

| No. | Parameter | Specifications | Test conditions |
|-----|----------------------------------|--|---|
| 4.1 | High temperature storage | ΔV 1mA /V1mA ≤ +/- 5% | Temperature: 125 +/-2°C Time: 1000hours |
| 4.2 | Humidity storage | ΔV 1mA /V1mA ≤ +/- 5% | Temperature: 40 +/-2°C Humidity: 90 to 95%RH Time: 1000hours |
| 4.3 | Low temperature storage | ΔV 1mA /V1mA ≤ +/- 5% | Temperature: -40 +/-2°C Time: 1000hours |
| 4.4 | Temperature cycle | ΔV 1mA /V1mA ≤ +/- 5% No remarkable mechanical damage | step |
| | | | 1 |
| | | | 2 |
| | | | 3 |
| | | | 4 |
| | | | Repeating above cycle 5 times |
| 4.5 | High Temperature load | ΔV 1mA /V1mA ≤ +/- 10% | Temperature: +85 +/-2°C Time: 100hours Voltage 420Vrms |
| 4.6 | Damp heat load | ΔV 1mA /V1mA ≤ +/- 10% | According to IEC 68-2-3 test Ca Voltage: DC 560V + 10% Time: 96 hours |
| 4.7 | Impulse life I (140Ax10 4 times) | ΔV 1mA /V1mA ≤ +/- 10% | Impulse waveform : 8/20µs Interval between pulses: 10sec |
| 4.8 | Impulse life II (70Ax10 4 times) | ΔV 1mA /V1mA ≤ +/- 10% | Impulse waveform : 8/20µs Interval between pulses: 10sec |

Operating temperature range . -40 to +85°C

Storage temperature range . -40 to 125°C

Radial Varistor Size 7mm

Part No.: **W11002-471x**

Customer:

| | | | | | | | |
|-------|-------|------|-------|--------|-------|-------|------------|
| DRW: | Jason | CHKD | Jules | MATL: | Wu | DATE | 06.06.2008 |
| APPD: | Join | | | FINISH | Shieh | Sheet | 7 from 8 |



Soldering Characteristics

Soldering Profile for Lead Soldering



Soldering Profile for Lead Free Soldering



Ordering Information

| Serie | Range | Tolerance | ROHS | Packing | | |
|--------|-----------|-----------|-----------------|-----------------|--|--|
| W11002 | 471 | M | R | BU | | |
| | 471= 470V | M= 20% | R= ROHS conform | BU= Bulk-Ware | | |
| | | K= 10% | N= NON conform | TR= Tape / Reel | | |

Radial Varistor Size 7mm

Part No.: **W11002-471x**

Customer:

| | | | | | | | |
|-------|-------|------|-------|--------|-------|-------|------------|
| DRW: | Jason | CHKD | Jules | MATL: | Wu | DATE | 06.06.2008 |
| APPD: | Join | | | FINISH | Shieh | Sheet | 8 from 8 |