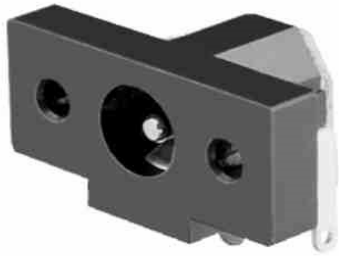


# EDCON-COMPONENTS



## Technical Specifications:

|                        |
|------------------------|
| Temperature Range:     |
| Rated Load:            |
| Contact Resistance:    |
| Insulation Resistance: |
| Withstanding Voltage:  |
| Actuating Force:       |
| Lifetime:              |
| TEMPERATURE:           |
| RELATIVE HUMIDITY:     |
| HUMIDITY TEST:         |
| HEAT TEST:             |
| COLD TEST:             |
| SOLDERABILITY TEST:    |
| TEST CONDITIONS:       |
| REFLOW SOLDERING:      |
|                        |
| MATERIAL:              |
| F= GROUNDING SPRING    |
| E= SHIELDING:          |
| D= PIN                 |
| C=TERMINAL             |
| B= TIP SPRING          |
| A= BODY                |

|   |
|---|
| DC 30V 0,5A   |
| 3~20n   |
| 0,5KG ~ 3,5KG   |
| 500 VOLTS   |
| 5000 cycles   |
| FROM -30°C TO +70°C   |
| FROM 40% TO 85%   |
| HUMIDITY 90% TO 95% TEMPERATURE 40°C +/- 2°C F. 96 HRS                                  |
| TEMPERATURE 70°C +/- 2°C V (HUMIDITY BELOW 50% F. 96HRS                                 |
| . +/-2°C FOR 96 HOURS   |
| THE TERMINATION IS AT LEAST 96% COVERD BY A CONTINUOUS NEW SOLDER COATING               |
| DIP SOLDER FOR 5 SEC AT 245°C +/- 5°C TERMINATION SHAL BE IMMERSIED IN FLUX BEFORE TEST |
| LEAD FREE PROCESS   |

|   |
|---|
| STAINLESS 0,1T                                |
| BRASS STRIP 0,3T NI 60μ                       |
| BRASS BAR NI 60μ                              |
| BRASS STRIP 0,3T AG 20μ OVER NI 20μ           |
| COPPER ALLOY 0,3T AG20μ OVER NI 20μ           |
| HIGH TEMPERATURE THERMOPLASTIC UL 94V-0 BLACK |

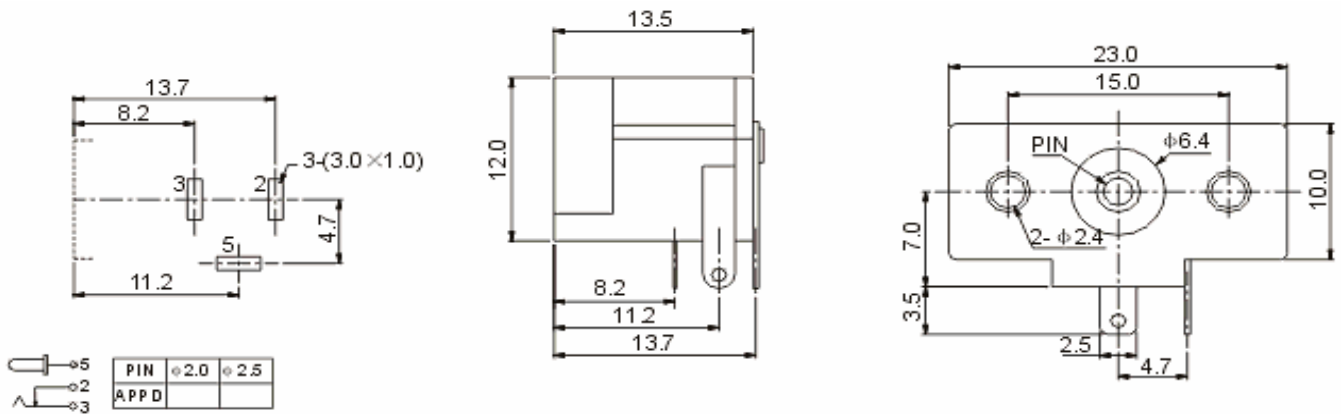
|                             |
|-----------------------------|
| CHASSIS MOUNT DC-POWER JACK |
| Part No.: <b>T19E004</b>    |
| Customer:                   |

|       |        |      |        |        |        |       |            |
|-------|--------|------|--------|--------|--------|-------|------------|
| DRW:  | Jason  | CHKD | Wilson | MATL:  | Wilson | DATE  | 06.05.2007 |
| APPD: | Schumi |      |        | FINISH | Jamy   | Sheet | 1 from 3   |

# EDCON-COMPONENTS



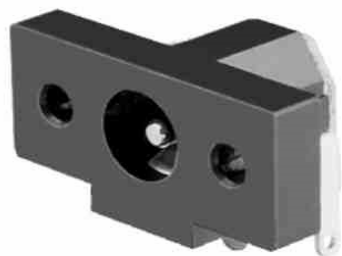
## Technical Drawing:



|                             |                |
|-----------------------------|----------------|
| CHASSIS MOUNT DC-POWER JACK |                |
| Part No.:                   | <b>T19E004</b> |
| Customer:                   |                |

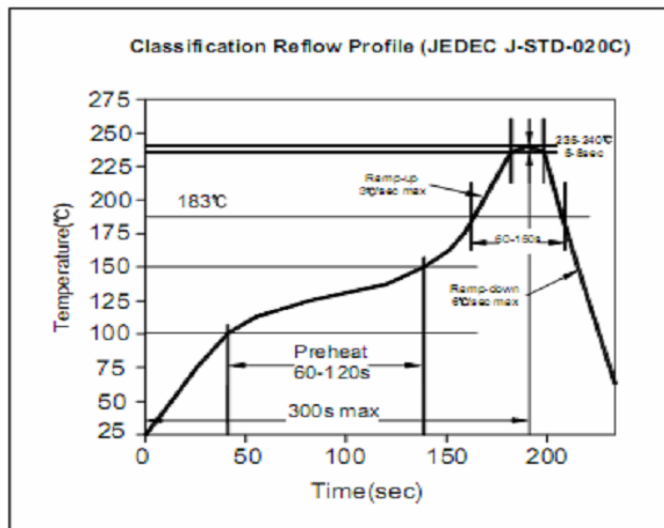
|       |        |      |        |        |        |       |            |
|-------|--------|------|--------|--------|--------|-------|------------|
| DRW:  | Jason  | CHKD | Wilson | MATL:  | Wilson | DATE  | 06.05.2007 |
| APPD: | Schumi |      |        | FINISH | Jamy   | Sheet | 2 from 3   |

# EDCON-COMPONENTS

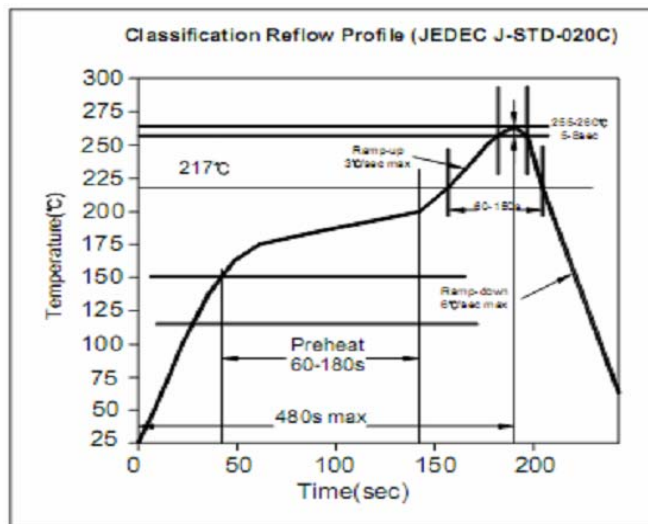


## Solder Profile

### Lead Solder



### Lead Free Solder



## Ordering Informations:

|          |              |      |         |  |  |  |
|----------|--------------|------|---------|--|--|--|
| Item-No. | Pin Diameter | ROHS | Packing |  |  |  |
| T19E004  | A            | R    | BU      |  |  |  |

|          |             |                     |
|----------|-------------|---------------------|
| A= 2,0mm | R= ROHS     | BU= Bulk (Standard) |
| B= 2,5mm | N= Non ROHS |                     |
|          |             | TR= Tape/Reel       |
|          |             | TR= Tray Packing    |

|                             |                |
|-----------------------------|----------------|
| CHASSIS MOUNT DC-POWER JACK |                |
| Part No.:                   | <b>T19E004</b> |
| Customer:                   |                |

|       |        |      |        |        |        |       |            |
|-------|--------|------|--------|--------|--------|-------|------------|
| DRW:  | Jason  | CHKD | Wilson | MATL:  | Wilson |       | 06.05.2007 |
| APPD: | Schumi |      |        | FINISH | Jamy   | Sheet | 3 from 3   |