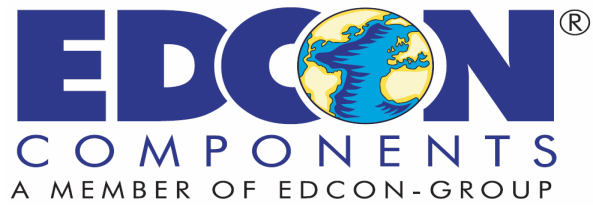


EDCON-COMPONENTS

WIRE MOUNT HOLDER

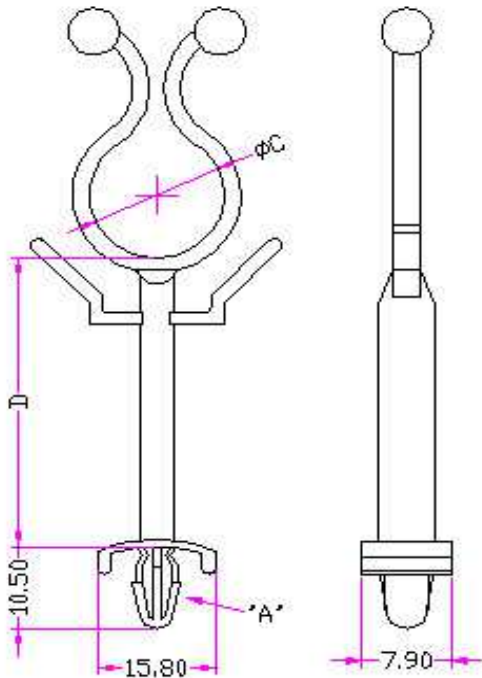


Material

Material: Nylon 66 UL94V-2

Color: Natural

Technical Drawing

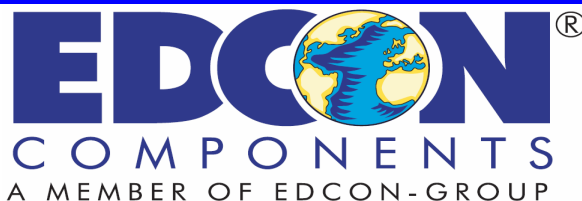


A HOLE IN P.C.B $\phi 4.80$
P.C.B THICKNESS 0.5~2.0

WIRE MOUNT HOLDER

EDCON-COMPONENTS

WIRE MOUNT HOLDER



Code length table

Code	C (mm)	D (mm)	E (mm)	F (mm)		
A1	6,50	32,25				

WIRE MOUNT HOLDER



Serie	Code Length	Material	Color	Packing		
N35020	A1	N	NA	B		
	A	N=Nylon	NA=Natural	B=Bulk		