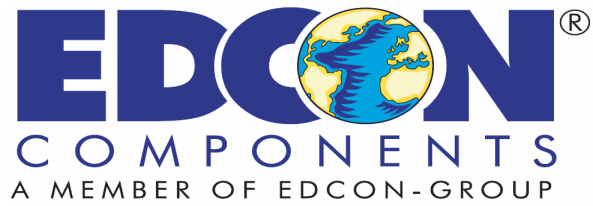


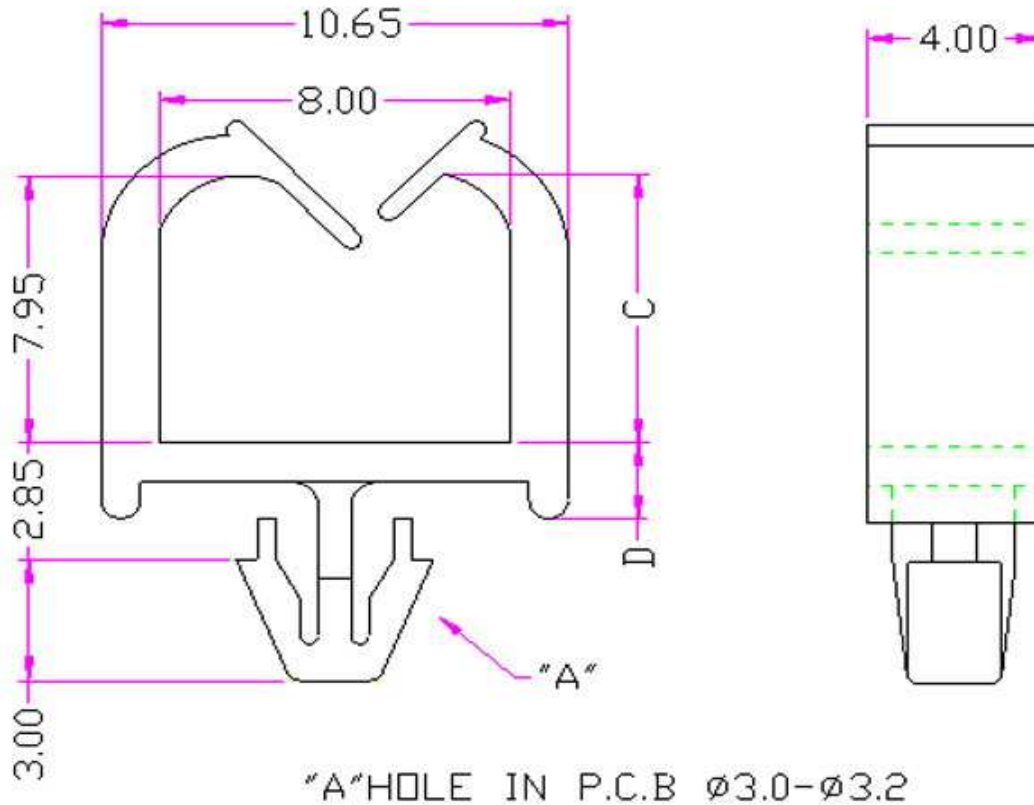
# EDCON-COMPONENTS

## WIRE MOUNT HOLDER



Material: Nylon 66 UL94V-2

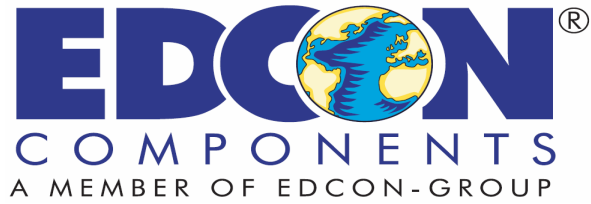
Color: Natural



WIRE MOUNT HOLDER

# EDCON-COMPONENTS

## WIRE MOUNT HOLDER



**Code length table**

Code	C (mm)	D (mm)	E (mm)	F (mm)		
A1	6,40	1,15				
A2	6,60	1,85				

WIRE MOUNT HOLDER



Serie	Code Length	Material	Color	Packing		
N35014	A1	N	NA	B		
	A1 + A2	N=Nylon	NA=Natural	B=Bulk		