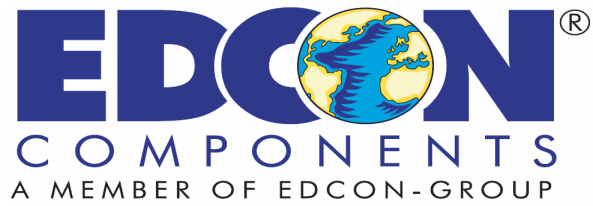


EDCON-COMPONENTS

WIRE MOUNT HOLDER

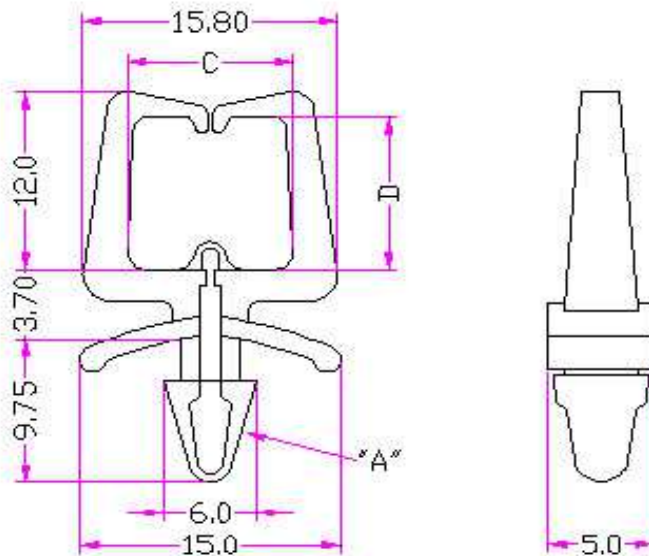


Material

Material: Nylon 66 UL94V-2

Color: Natural

Technical Drawing



"A" HOLE IN P.C.B ϕ 4.80
P.C.B THICKNESS 0.6~2.0

WIRE MOUNT HOLDER

