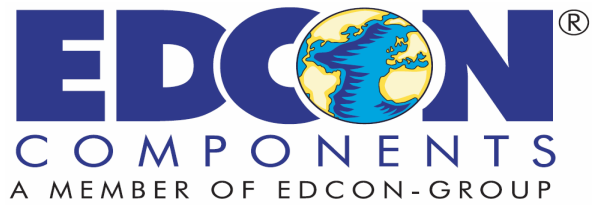


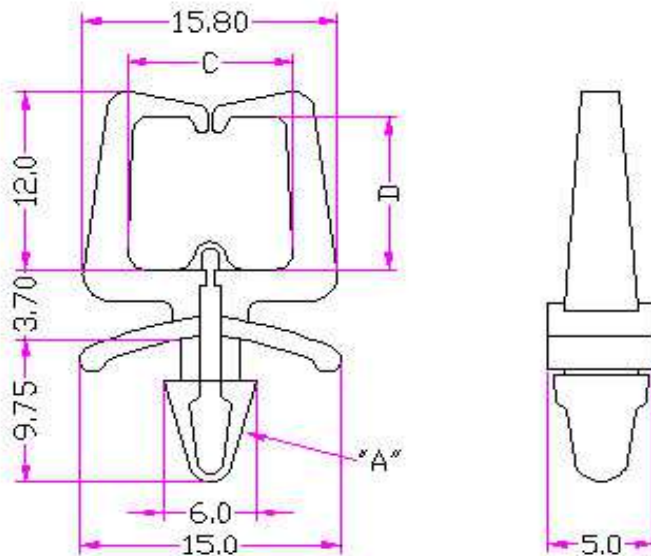
# EDCON-COMPONENTS

## WIRE MOUNT HOLDER



Material: Nylon 66 UL94V-2

Color: Natural



"A" HOLE IN P.C.B  $\phi$ 4.80  
P.C.B THICKNESS 0.6~2.0

WIRE MOUNT HOLDER

