

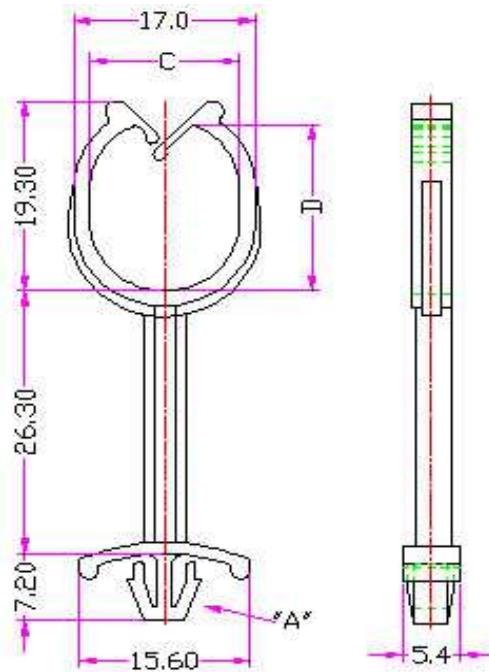
EDCON-COMPONENTS

WIRE MOUNT HOLDER



Material: Nylon 66 UL94V-2

Color: Natural



A HOLE IN P.C.B ϕ 4.00
P.C.B THICKNESS 0.6~2.5

WIRE MOUNT HOLDER

