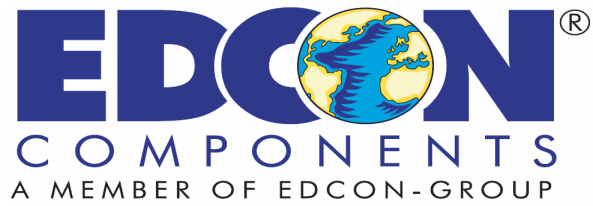
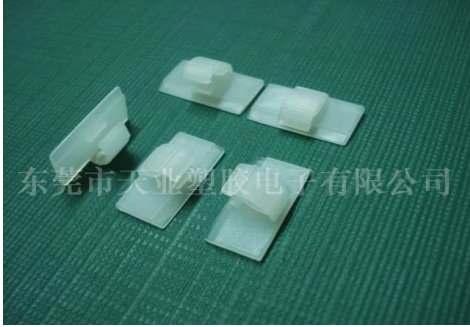


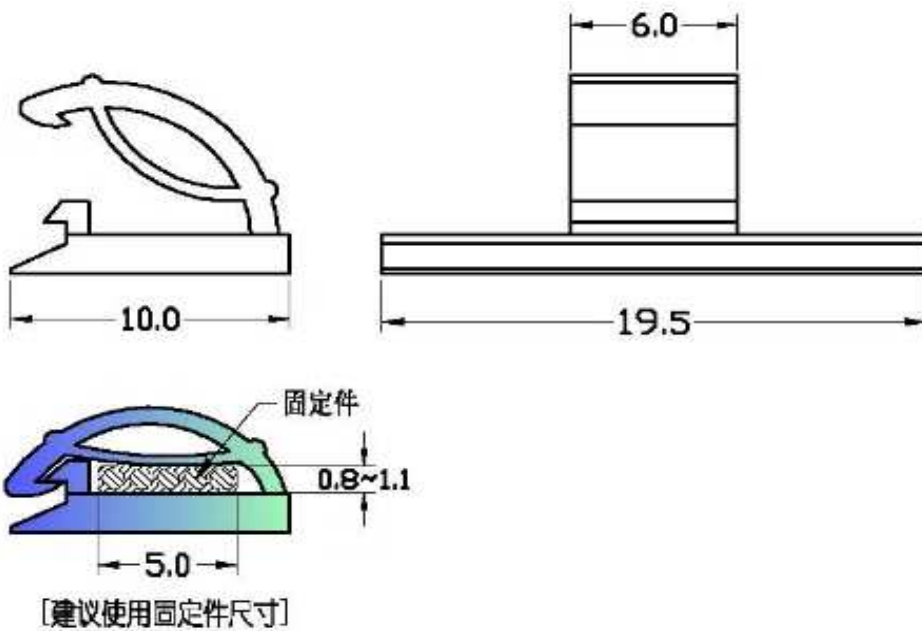
EDCON-COMPONENTS

WIRE MOUNT HOLDER



Material: Nylon 66 UL94V-2

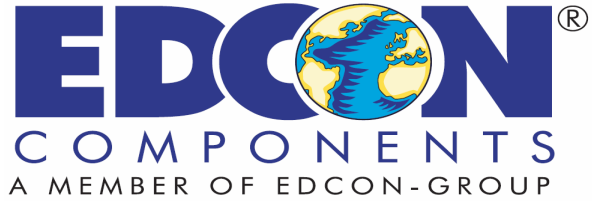
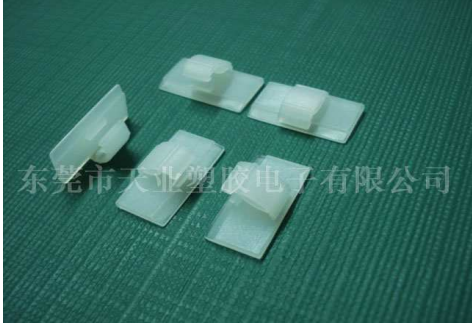
Color: Natural



WIRE MOUNT HOLDER

EDCON-COMPONENTS

WIRE MOUNT HOLDER



Code length table

Code	C (mm)	D (mm)	E (mm)	F (mm)		



Serie		Code Length	Material	Color	Packing		
N35010	-	A	N	NA	B		
			N=Nylon	NA=Natural	B=Bulk		

WIRE MOUNT HOLDER