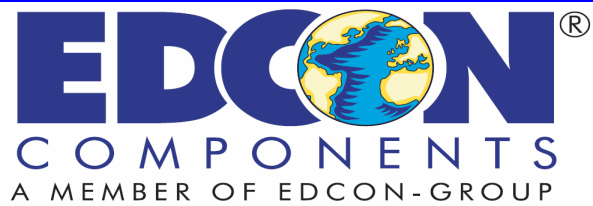


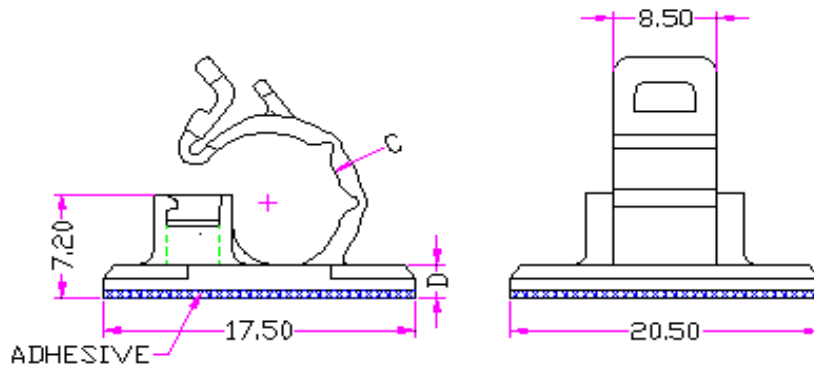
EDCON-COMPONENTS

WIRE MOUNT HOLDER



Material: Nylon 66 UL94V-2

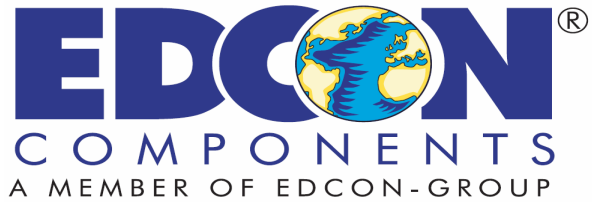
Color: Natural



WIRE MOUNT HOLDER

EDCON-COMPONENTS

WIRE MOUNT HOLDER



Code length table

Code			C (mm)	D (mm)		
A1			8,50	2,90		

WIRE MOUNT HOLDER



Serie		Code Length	Material	Color	Packing		
N35007	-	A1	N	NA	B		
		A1~xx	N=Nylon	NA=Natural	B=Bulk		