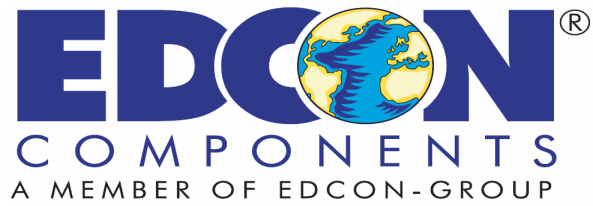


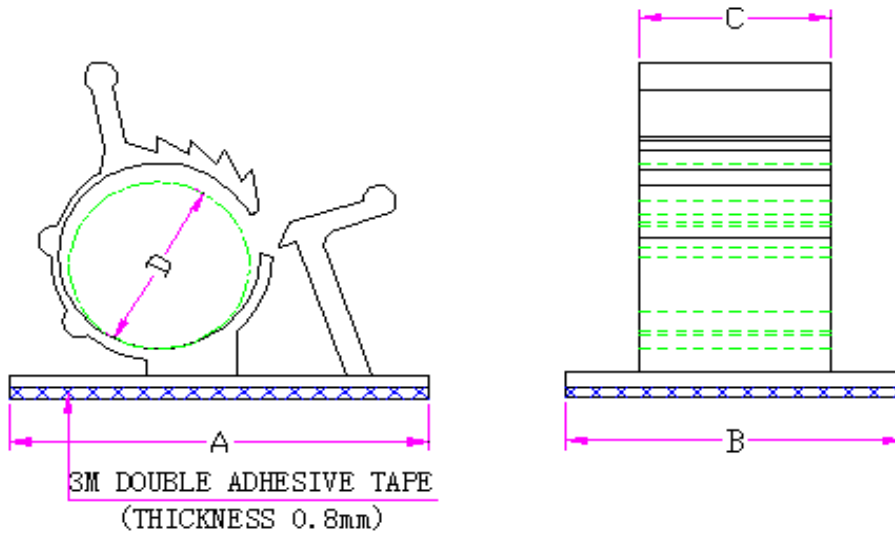
EDCON-COMPONENTS

WIRE MOUNT HOLDER



Material: Nylon 66 UL94V-2

Color: Natural / Back



WIRE MOUNT HOLDER

